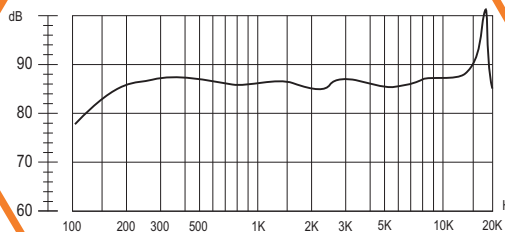
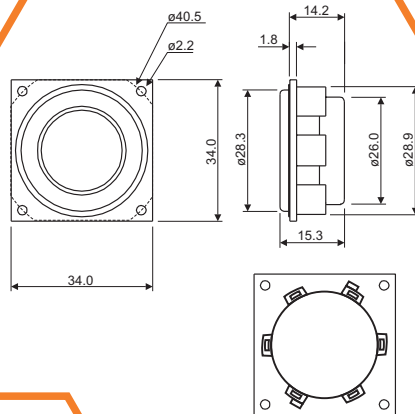
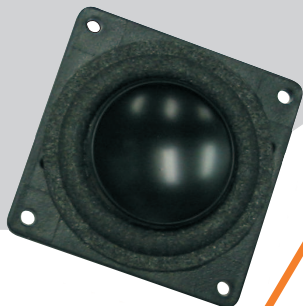


SoniCrest

SPEAKER SOUND GENERATORS

HSB3434A-4



Dimension

Unit : mm
Tolerance : $\pm 0.3\text{mm}$

Frequency Response

Normalized to 1W Input Power and
0.3m Measuring Distance

- **Specification** (all data taken at 25°C unless otherwise specified)

Coil Impedance (Ω)	Rated Power (W)	Maximum Input Power (W)	Resonance Frequency (Hz)	★Frequency Range (Hz)	★sound Output at 1kHz (dB)	Operating Temperature (°C)	Storage Temperature (°C)
4 \pm 15%	2	3	220 \pm 20%	220 ~ 20000	86 \pm 3	-20 ~ +65	-20 ~ +70

HSB3434A-4

The specification are only for 4 Ω version. Specification for other impedance is available upon request.
★value normalized to 1W input power and 0.3m measuring distance.