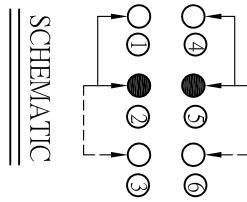
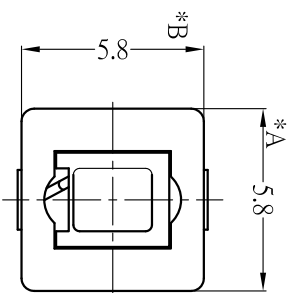


1

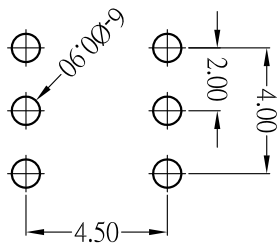
2

3

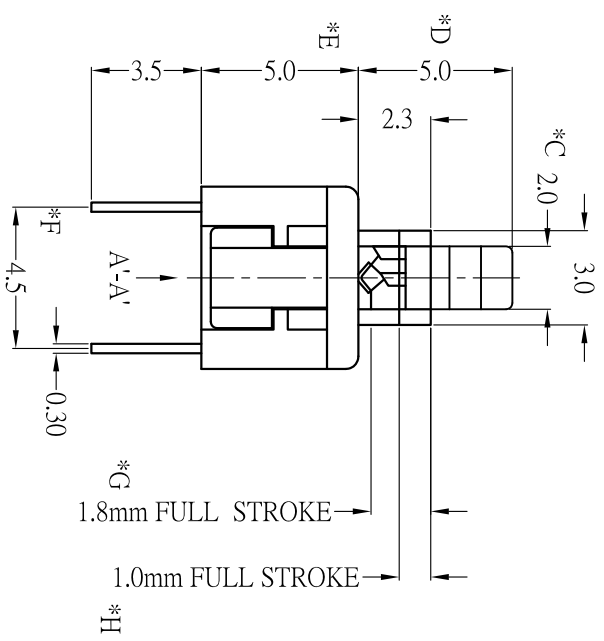
4



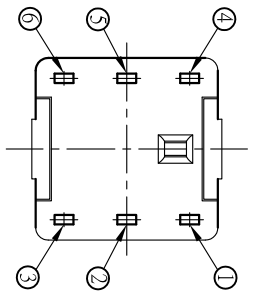
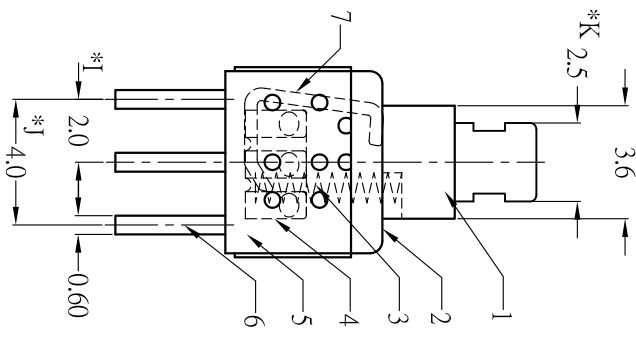
SCHMATIC



PC.B.LAYOUT



* CRITICAL DIMENSION



A-A' VIEW

| REVISION | | DATE |
|----------|-------------|------|
| POSITION | DESCRIPTION | |
| Δ | | |

D

C

B

A

| | | | | |
|---|-----------|-------------|---|------------|
| 7 | CAM STICK | SUS | 1 | NATURAL |
| 6 | TERMINAL | BRASS STRIP | 6 | Ag COATING |
| 5 | CASE | PA66 | 1 | GREY |
| 4 | CONTACT | C5210R-EH | 2 | Ag CLAD |
| 3 | SPRING | SUS | 1 | NATURAL |
| 2 | COVER | POM | 1 | BLACK |
| 1 | KNOB | POM | 1 | WHITE |

D

C

B

A

| | | | |
|-----------------------|--------|-----------------------------|-----------|
| SERIES : PUSH SWITCH | | DRAWING NO. : CE-ENL-PS9002 | |
| PART NAME : PS-22E58L | | GENERAL TOLERANCE | |
| UNIT : MM | DWN. | WITHIN 0.XXmm±0.15mm | |
| SCALE : 1:1 | CHK'D | OVER 0.Xmm±0.25mm | |
| REV : A/0 | APP'D. | NO. | PART NAME |
| 1 | | 2 | |
| 2 | | 3 | |
| 3 | | 4 | |
| | | MATERIAL | QTY |
| | | | FINISHING |

D

C

B

A