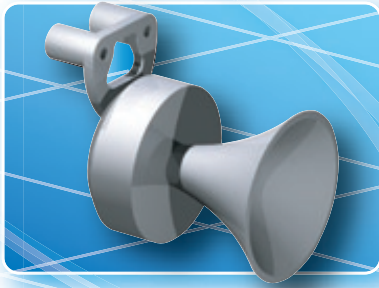


SAS-2835 PIEZO HORN SIREN



The SAS-2835 is a small piezoelectric siren with high sound pressure, low weight and low current consumption. The sound output is 110dB, a very clear and aggressive warning. There are many applications for this siren: all fire alarms, cars and motor vehicles, automation equipment, security devices, etc. The vibrating elements are unique and developed at Sonitron (worldwide patented). This series made of high quality materials, offers extreme reliability and robustness, and features a life time over 2000 hours in continuous use.

ADVANTAGES & APPLICATIONS

ADVANTAGES :

- Loud siren output with high sound pressure level
- Dust tight, waterproof (IP67)
- Low current consumption
- No magnetic field

APPLICATIONS :

- Trucks & automobiles
- Fire alarm
- Burglar alarm
- House alarm

SPECIFICATIONS

Model	Function	Sound pressure level* (dB(A)(±2dB(A))	Frequency (Hz)(±30%)	Operating voltage (Vdc)	Operating current(mA)
SAS-2835	Sweep	110	1800 to 3500**	6-15	120

* All measurements are made in free air @12Vdc @1 meter @21°C @35% RH.

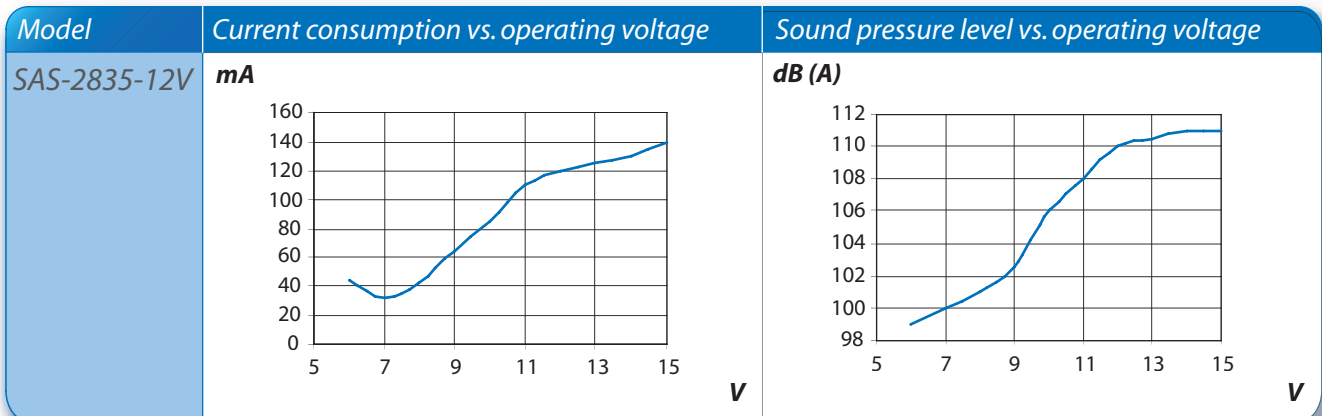
** Interval frequency is 3Hz (± 2Hz).

Operating temperature:	-40°C to +60°C
Storage temperature:	-40°C to +60°C
Expected life time:	2000 hours continuous working @12Vdc @21°C @35% RH
Color:	grey, black, red, ivory
Terminals:	pins, fast-on and wire connection
Case material:	ABS plastic (UL rating: 94HB)
Weight:	36g
Mounting method:	Mounting on panels and walls with universal bracket

**110 dB(A)
@ 1 meter**



ELECTRICAL PARAMETERS



Note : All measurements are made in free air @1 meter @21°C @35% RH. For measurement purposes, the alarm was mounted with mounting bracket "MB1" on a wooden panel.

PRODUCT CODIFICATION

SAS-2835	-12V-	- W P F	MB	1 2 3	S
Sonitron Alarm Series	Supply Voltage	W : wire AWG 24 P : round pin F : fast-on terminal 4.76mm	Mounting Bracket	1 : wall connection 2 : flat connection (with grooves) 3 : flat connection (with holes)	Separate mounting bracket

LIST OF AVAILABLE PRODUCT TYPES

SAS-2835-12V-F-MB1
SAS-2835-12V-F-MB2
SAS-2835-12V-F-MB3
SAS-2835-12V-F-MB1S
SAS-2835-12V-F-MB2S
SAS-2835-12V-F-MB3S

SAS-2835-12V-P-MB1
SAS-2835-12V-P-MB2
SAS-2835-12V-P-MB3
SAS-2835-12V-P-MB1S
SAS-2835-12V-P-MB2S
SAS-2835-12V-P-MB3S

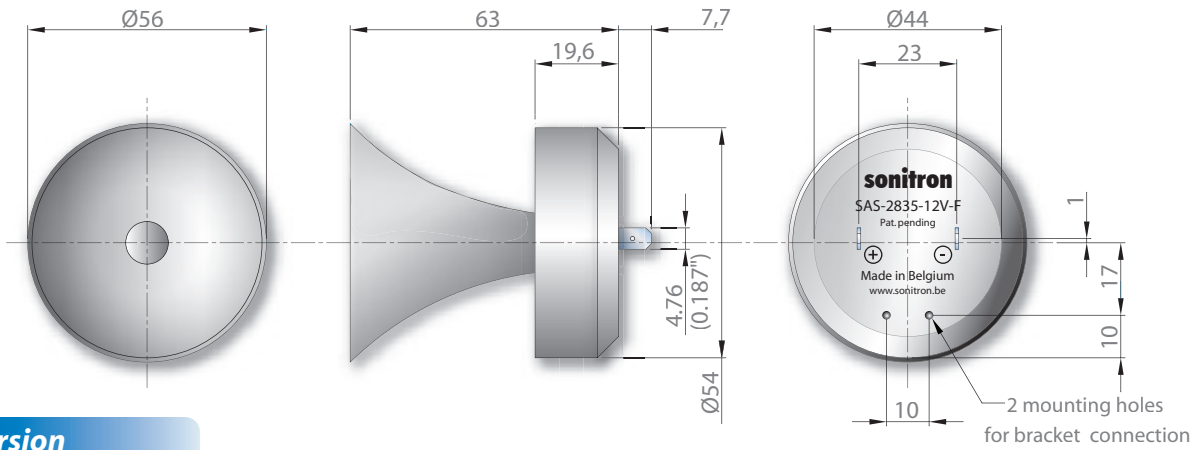
SAS-2835-12V-W-MB1
SAS-2835-12V-W-MB2
SAS-2835-12V-W-MB3
SAS-2835-12V-W-MB1S
SAS-2835-12V-W-MB2S
SAS-2835-12V-W-MB3S

DIMENSIONS (all dimensions are in mm)

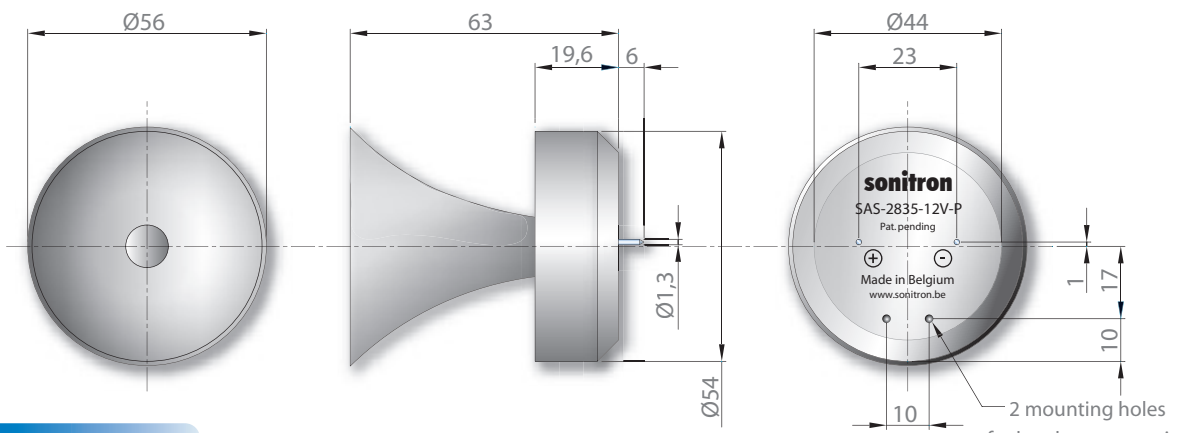


Dimensions of Piezo Horn Siren without mounting bracket

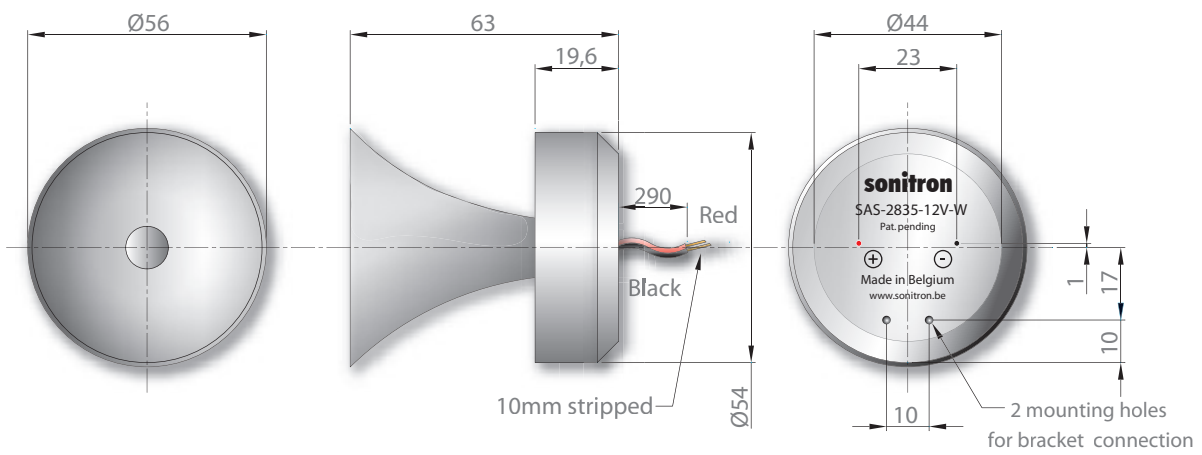
Fast-on version



Pin version



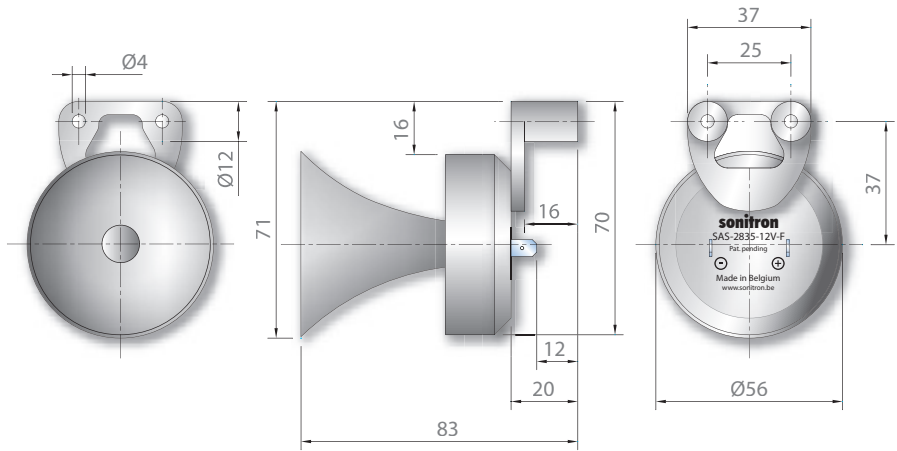
Wire version



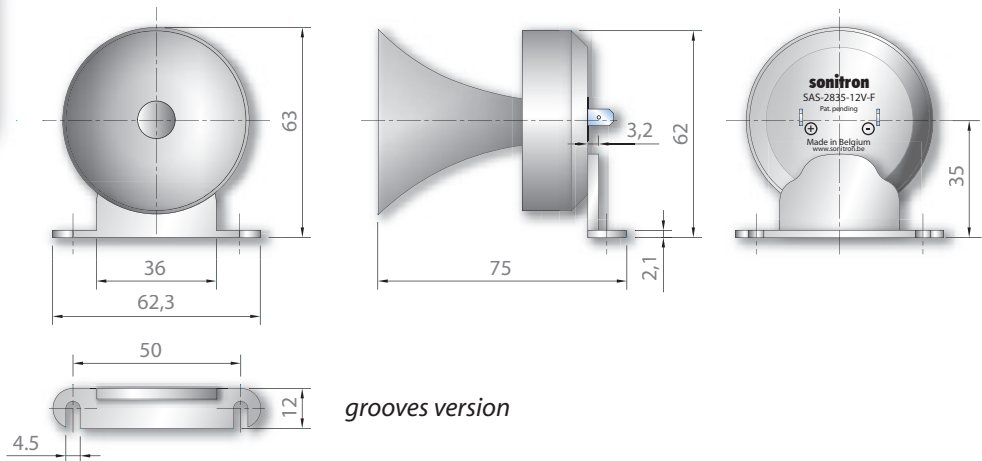
Tolerance: +/- 0.2mm

DIMENSIONS (all dimensions are in mm)

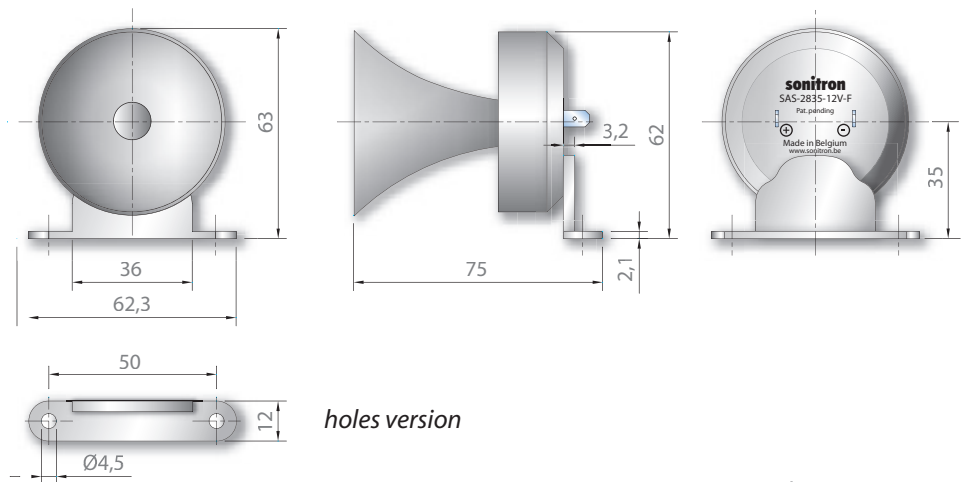
1. Dimensions of Piezo Horn Siren with mounting bracket (MB1)



2. Dimensions of Piezo Horn Siren with mounting bracket (MB2)



3. Dimensions of Piezo Horn Siren with mounting bracket (MB3)

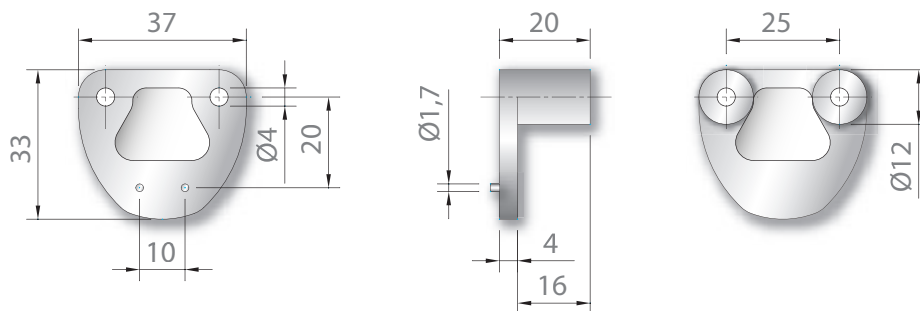


Tolerance: +/- 0.2mm

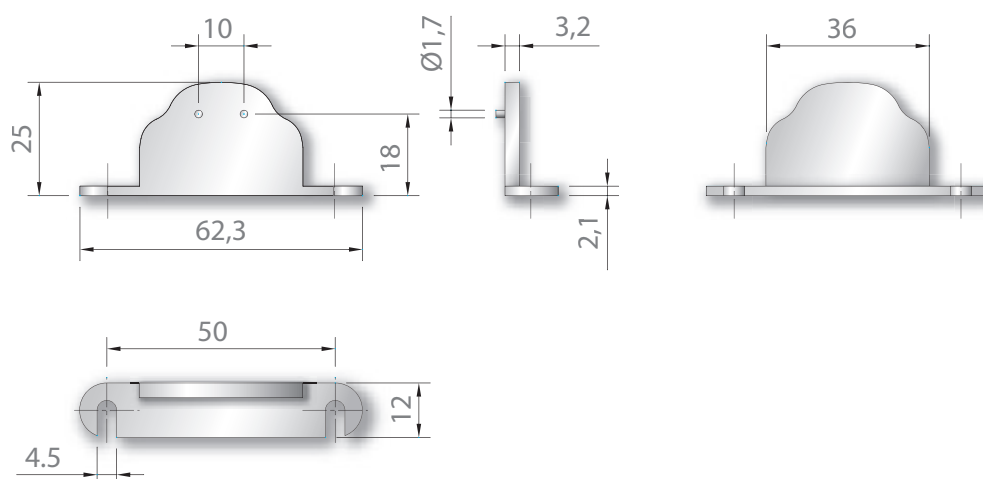
DIMENSIONS (all dimensions are in mm)

Dimensions of mounting brackets

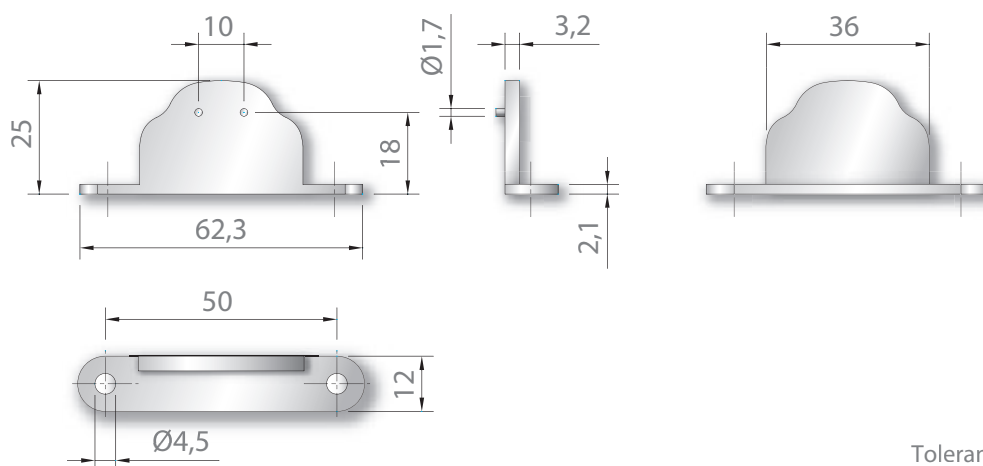
1. Mounting bracket for wall connection (MB1)



2. Mounting bracket for flat connection with grooves (MB2)



3. Mounting bracket for flat connection with holes (MB3)



Tolerance: +/- 0.2mm

Information furnished by Sonitron N.V. is believed to be accurate and reliable. Specifications are subject to change without prior notice. No patent rights or licenses described herein are implied or granted to any third party. The use of Sonitron products as critical components in life support systems, is not authorised without the explicit written approval of Sonitron N.V.

© The content, elements and structure of these pages and of this datasheet are protected by copyright laws. Any reproduction, publication, modification, distribution or exploitation of this information, whether in whole or in part, without an express written permission is prohibited.

Kasteelstraat 93, 9100 Sint-Niklaas • BELGIUM • Tel.: +32 3 780 76 30 • Fax: +32 3 777 58 96 • E-mail: sales@sonitron.be • Internet: <http://www.sonitron.be>