

# High accuracy Ambient Light Sensor SFH 5711

## Application Note

---

### Abstract

This application note describes the technical details as well as the operation of the ambient light sensor SFH 5711.

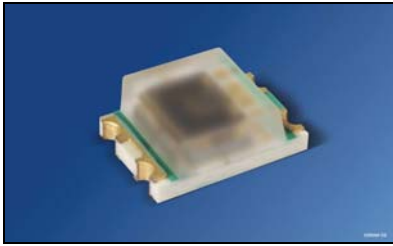


Figure 1: Ambient light sensor SFH 5711

### Introduction

The ambient light sensor SFH 5711 is a photo detector with the following features:

- perfect  $V-\lambda$  characteristics<sup>1</sup>
- opto hybrid with logarithmic current output
- low temperature coefficient
- high accuracy over wide illumination range
- (2.8 x 2.2 x 1.1)mm SMT package
- automotive qualified

---

<sup>1</sup>  $V-\lambda$  characteristics describes the spectral sensitivity of the human eye.

The SFH 5711 consists of a photodiode which is used for the light detection and an IC with the following functions: amplification of the photodiode output signal, logarithmic converter and temperature correction.

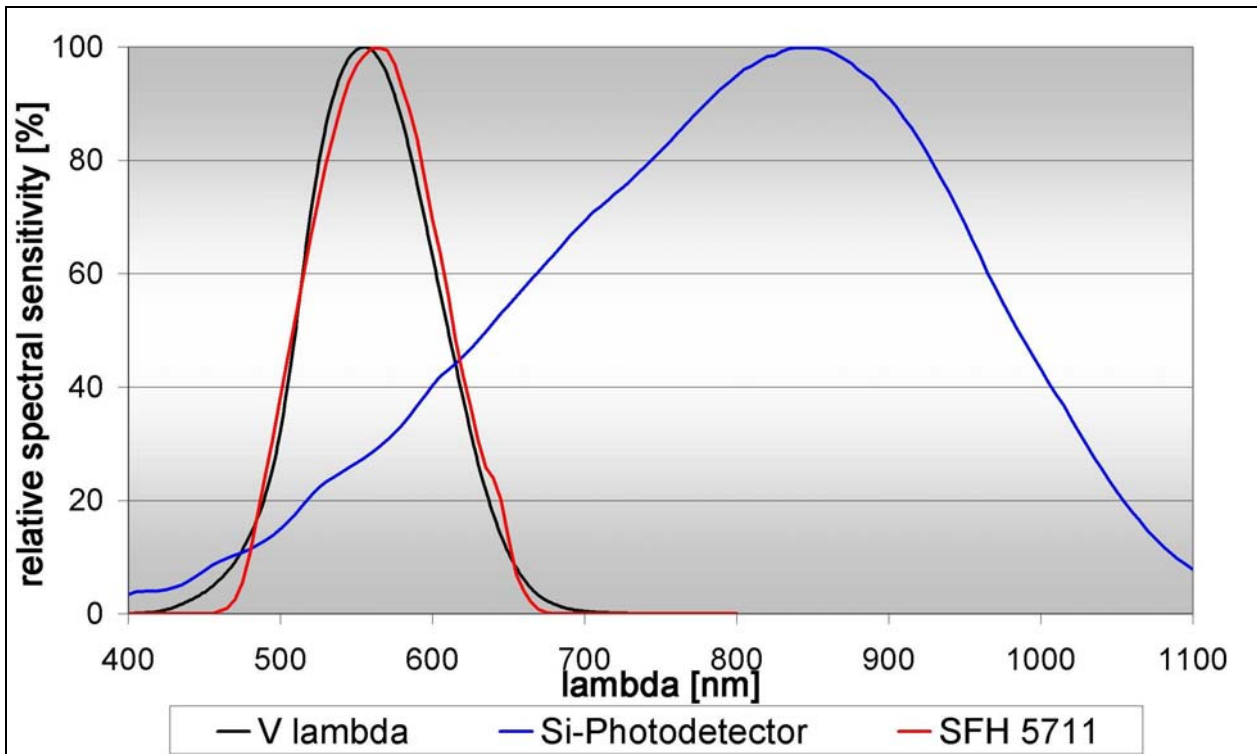
This application note describes the technical details of the sensor. For more detailed information about ambient light sensing and its applications, please refer to the OSRAM OS general application note on ambient light sensors.

### Spectral sensitivity of the SFH 5711

Ambient light sensors are used wherever the settings of a system<sup>2</sup> need to be adjusted to the ambient light conditions as perceived by humans. They are designed to detect brightness in the same way as human eyes do. To achieve this, the sensor needs to have a spectral sensitivity which is similar to that of human eyes. Figure 2 shows the spectral sensitivity of a standard silicon (Si) photo sensor, the SFH 5711 and the human eye ( $V-\lambda$  curve).

---

<sup>2</sup> Such as backlighting of mobile devices or instrument panels in cars



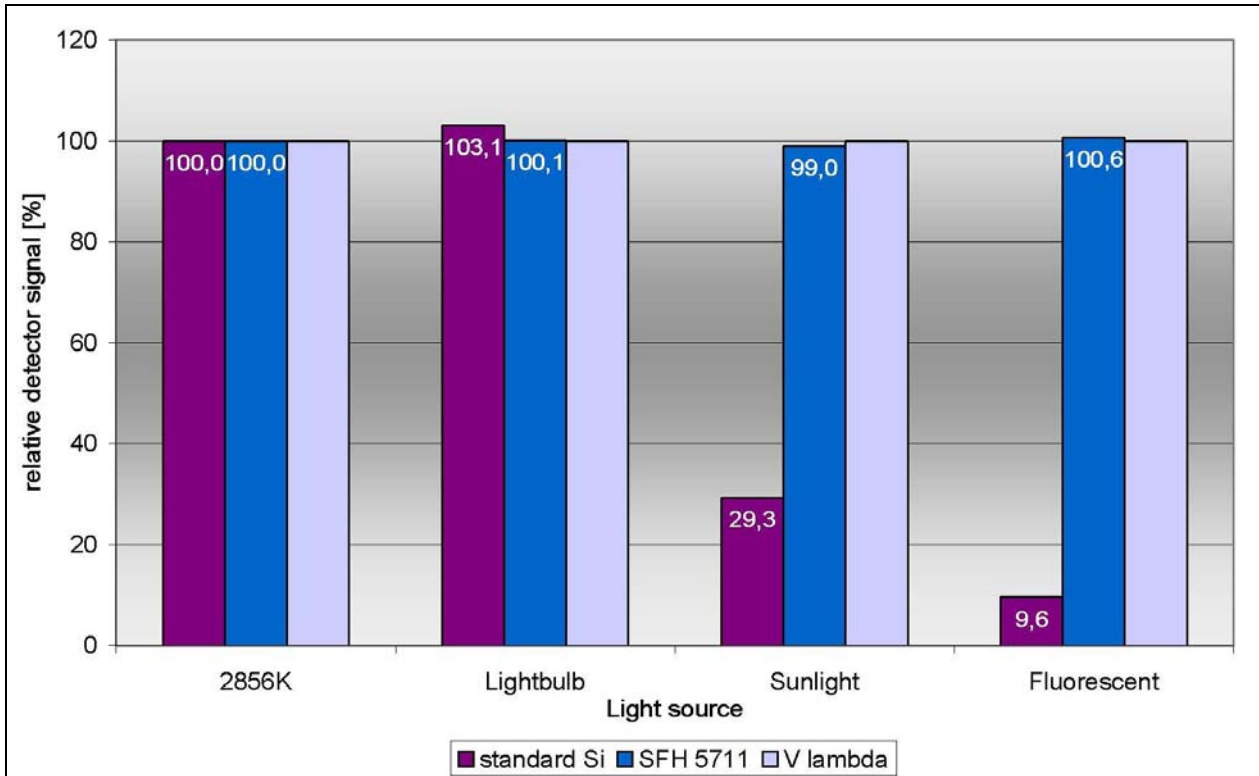
**Figure 2: Relative spectral sensitivity of a standard Si-detector and the SFH 5711 compared to the human eye ( $V-\lambda$ ).**

From figure 2 one can see that a standard Si-detector has its maximum sensitivity in the IR range, which is invisible to human eyes. Lamps however do emit light in this “invisible range”, which then leads a standard Si detector to “see” high brightness, whereas in fact it is not bright to human eyes. This match with the human eye characteristics is the most important parameter for the performance of an ambient light sensor.

The effect can be seen in Figure 3. It shows the detector signals for different lamp types at the same brightness level. To the human eye, all these light sources appear equally bright.

All signals in Figure 3 are normalized to standard light A (2856K), which is a general point of reference for ambient light sensors. Figure 3 illustrates the brightness measurement deviations of the different detectors compared to the human eye. A

light bulb, for instance emits a high portion of IR light, which is fully detected by the standard Si-detector, but not seen by the human eye. Fluorescent lamps, on the other hand, do not emit much IR light. Hence the signals yielded by the standard Si-detectors are much higher for light bulbs than they are for fluorescent lamps, even though both lamps appear equally bright to the human eye. The deviation of the brightness measurement for the different light sources can directly be derived from figure 3. Compared to the human eye, the standard Si-detector signal is 3% too high in case of a light bulb and over 90% too low for a fluorescent lamp. The respective values for the SFH 5711 are ~1% only. When designing an ambient light sensor application, all possible light sources have to be taken into account.



**Figure 3: Detector readings for different light sources at the same brightness. The values are normalized to a standard light source A (2856 K). The brightness measurement data of the standard Si-detector shows large deviations due to the high sensitivity to IR light.**

### Logarithmic output

In order to represent the wide dynamic range of ambient light illuminance  $E_v$  (lux) correctly, the SFH 5711 is equipped with an analog logarithmic current output.

$$I_{out} = S * \log(E_v/E_o)$$

with  $E_o = 1\text{lx}$ , Sensitivity  $S = 10\mu\text{A/dec}$

Figure 4 shows the output signal  $I_{out}$  versus illuminance  $E_v$ .

### Advantages of a logarithmic output

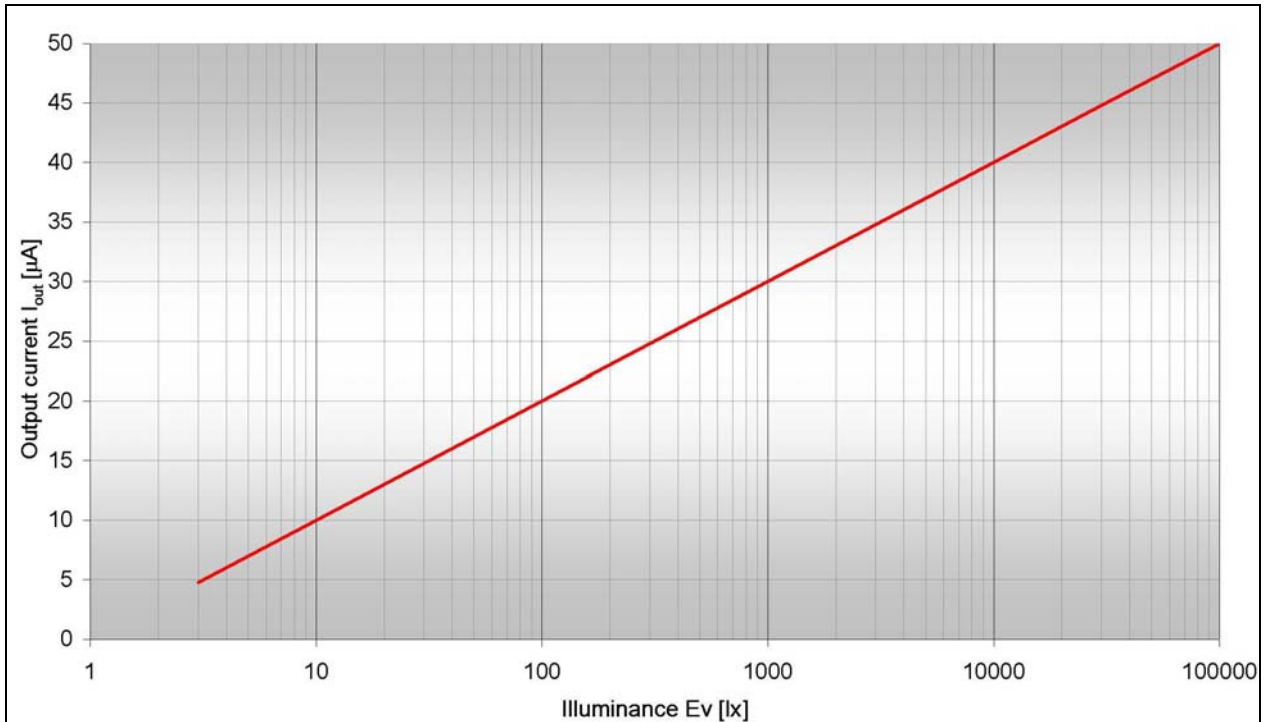
For brightness measurements a good relative resolution over the entire brightness range is important. In other words: when measuring low brightness levels, small changes in those levels need to be detected,

whereas when high brightness levels are measured, only relatively large variations are of interest<sup>3</sup>.

For linear output detectors like photo transistors or photo diodes, brightness changes  $\Delta E_v$  result in changes  $\Delta I_{out}$  of the output current<sup>4</sup>, which are proportional to  $\Delta E_v$ . To resolve small variations in low illumination levels it is necessary to measure in small current steps. At high brightness levels, however, it makes little sense to collect data with such fine absolute resolution.

<sup>3</sup> A change from 100 lx to 200 lx is considerable, whereas the step from 10000lx to 10200 lx is negligible.

<sup>4</sup> An increase of the illuminance by a factor 2 results in an increase of the output current by a factor 2 for linear output detectors.



**Figure 4: Output current  $I_{out}$  [µA] of the SFH 5711 versus illuminance  $E_v$  [lx]**  
 $I_{out} = S \cdot \log(E_v/E_0)$  with  $E_0 = 1lx$ , Sensitivity  $S = 10\mu A/dec$

A logarithmic connection implements this selection already: Constant relative changes of the input values are converted into constant absolute changes of the output value. Figure 5 explains this: Equal ratios of detected illuminance levels are converted into output current levels of equal steps.

The following example illustrates this effect: In many applications, the output signals are processed by an A/D converter. In this example an 8bit converter is used. A linear output photo detector detects a maximum of 100klx. Hence 256 different values are available to resolve the 100klx. Because of the linear relationship between output current and illuminance, the 256 values are equally distributed over the entire detection range, which yields a fixed value of 390lx/bit. This setting cannot resolve light levels below 1000lx with sufficient accuracy.

Therefore the operating range is changed to 0lx ... 1000lx by switching to a different resistor value<sup>5</sup> in order to achieve a

resolution of 3.9lx/bit for levels below 1000lx. The relative accuracy of the measurement is defined by the bit size and it varies depending on the operating range.

In the case of a logarithmic output, the 256 bits are not evenly distributed over the detection range, but at a fixed ratio with the absolute detected value. Equal ratios of detected illuminance levels are converted into output current levels of equal steps. (See figure 5). The relative accuracy of the measurement in this case is a constant value over the entire illuminance range.

Figure 6 illustrates this procedure: A linear photo detector needs to be operated with different resistors to change between different detection ranges, which is not necessary for the logarithmic output signal device. In the above example, the sensor can directly be connected to an ADC input via external load resistor.

<sup>5</sup> Example: For a typical value of 0.4mA photocurrent at 1klx, a 6.9kΩ resistor yields 2.8V voltage drop at the A/D converter. To enhance the detection range to 100klx, the 2.8V must

resemble 100klx and the resistor needs to be decreased to 69Ω.

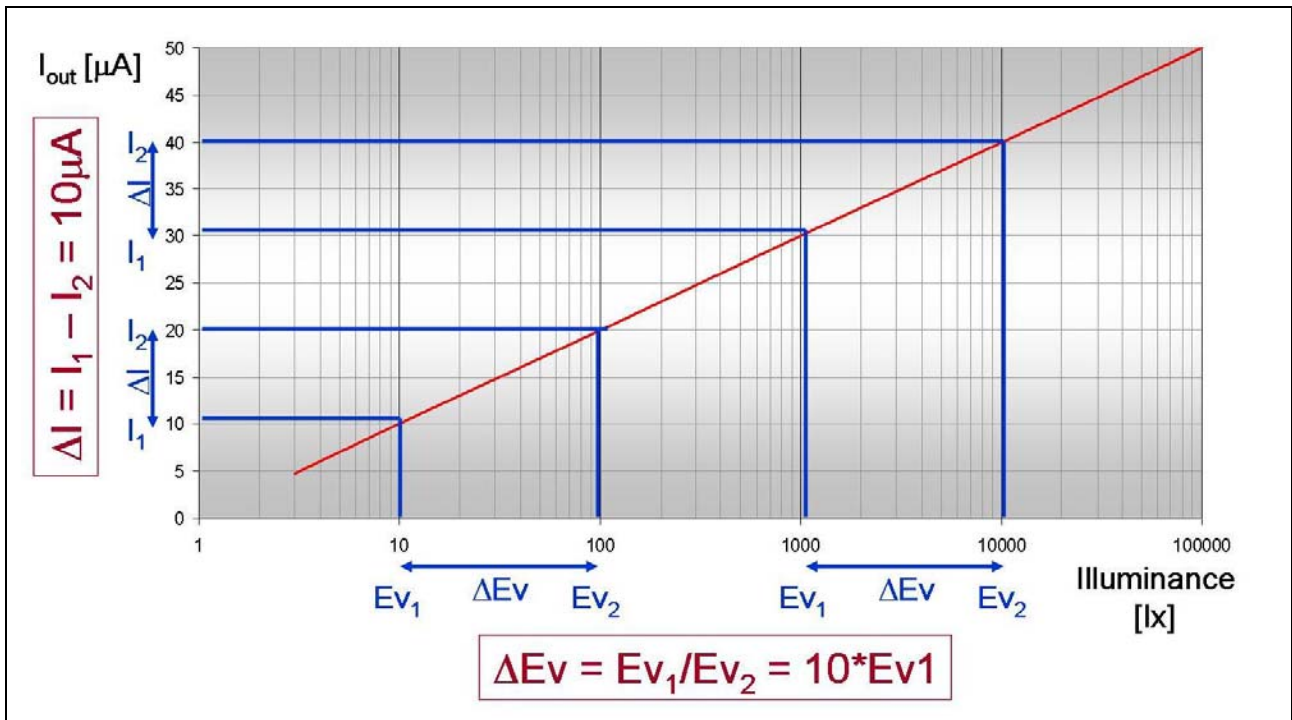


Figure 5: A logarithmic output converts equal ratios of detected illuminance levels ( $E_{v1}$ ,  $E_{v2}$ ) into output current levels of equal steps ( $I_2$ ,  $I_1$ )

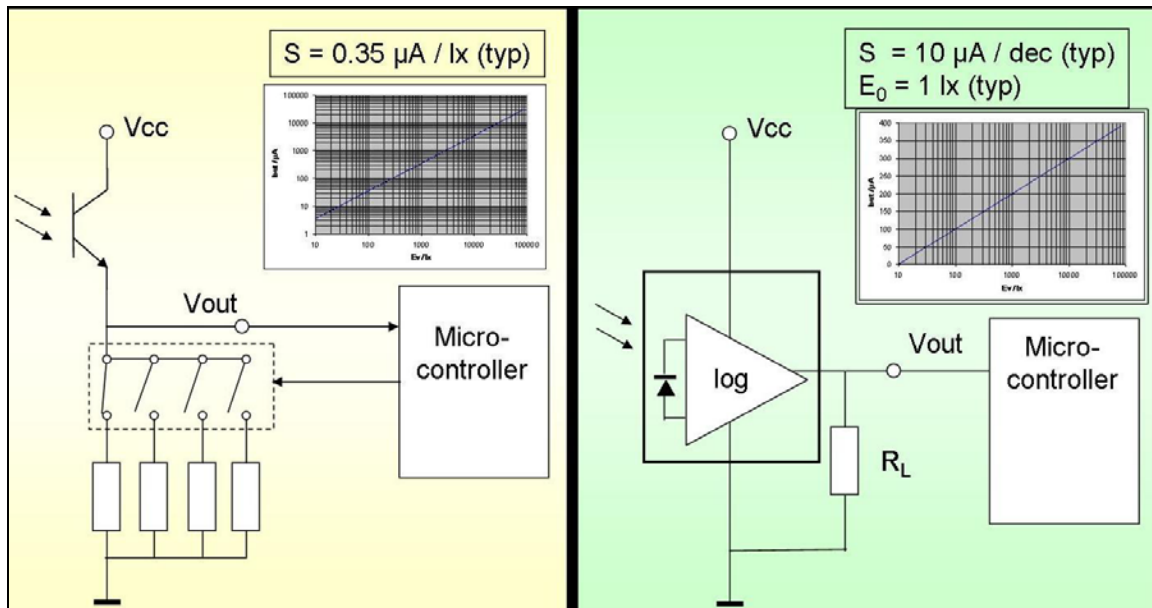
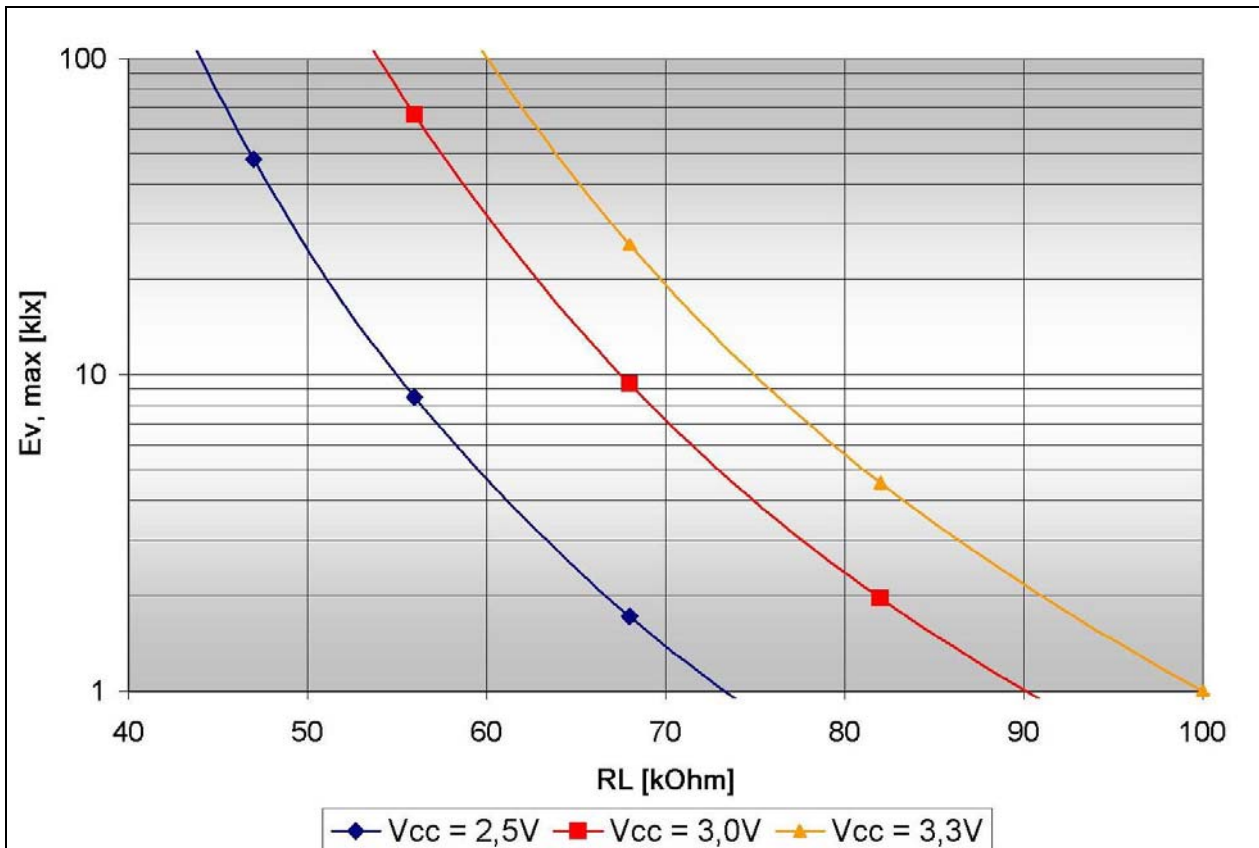


Figure 6: A linear output detector (left ) and a logarithmic output detector (right) are used to detect ambient light. To achieve sufficient resolution over all brightness levels, the operating range of the linear detector is adjusted by using different resistors.



**Figure 7:** Maximum detectable light level vs. load resistance (resistance values are taken from E12 series)

### Load resistance

If the SFH 5711 is operated with an external load resistance  $R_L$ , then the upper detection limit of the sensor depends on the resistor value of  $R_L$ . The load resistance does not directly determine the maximum detection level, but it does determine the output voltage of the sensor, which is limited by the supply voltage  $V_{cc}$ . At high illuminance levels the output current  $I_{out}$  is high and the load resistance must be reduced in order to stay below  $V_{cc}$  ( $V_{out} \leq V_{cc} = I_{out} * R_L$ )

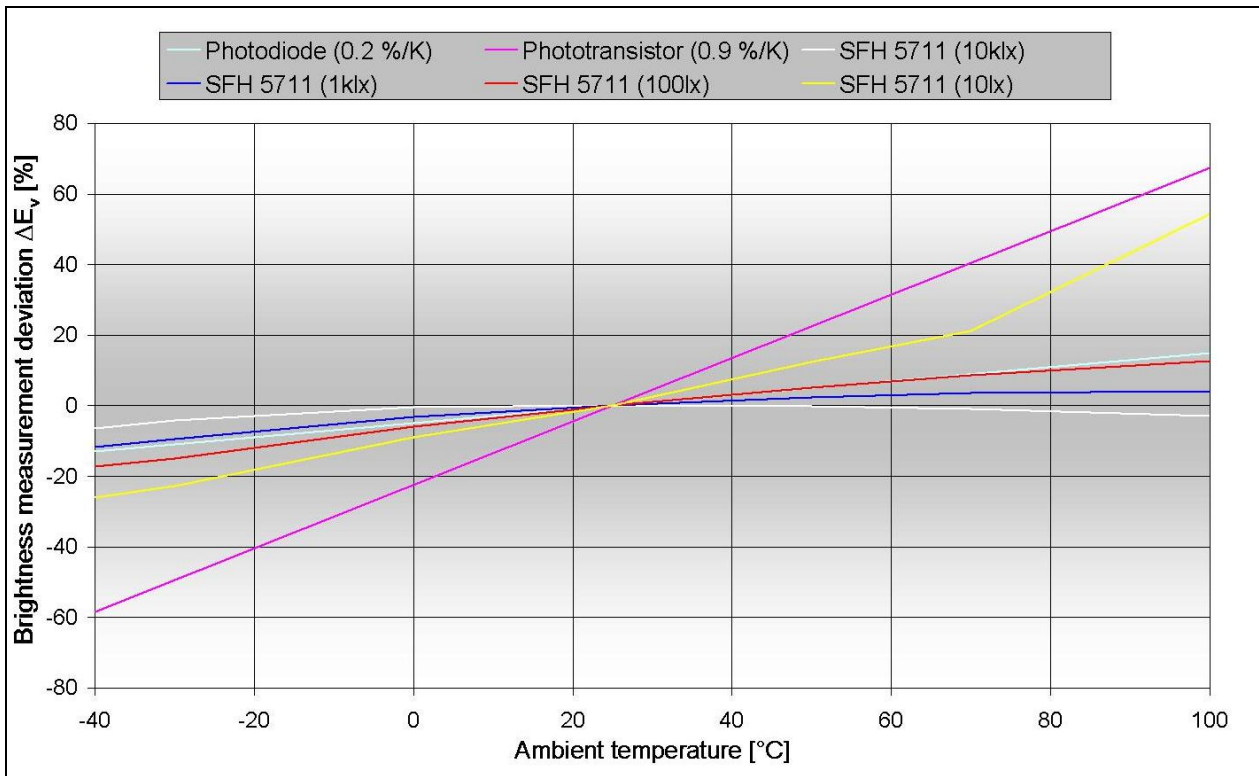
Figure 7 shows the relationship between load resistance and maximum detectable brightness levels. For 2.5V supply voltage, the detection limit for a 56kΩ resistor is ~9klx. To increase this level, a lower resistor value is necessary. With 47kΩ up to 60klx can be detected. For higher  $V_{cc}$ , the reachable detection limit increases with the same resistor values.

### Temperature dependence

The temperature coefficient of the SFH 5711 is not a constant value like it is the case for photo transistors and photo diodes. It depends on the illuminance range under which the device is operated.

Figure 8 shows the deviation of the brightness measurements relative to 25°C for the SFH 5711 at different brightness levels. Corresponding data for photo transistors and photo diodes are also shown. In comparison to a phototransistor, the SFH 5711 yields a better accuracy at all brightness levels. Above 100lx, the temperature behaviour of the SFH 5711 is comparable to that of a photodiode. At 10lx and high temperatures, greater deviations than those of photodiodes have to be taken into account.





**Figure 8: Brightness measurement deviation relative to 25°C for the SFH 5711 compared to Photodiode and Phototransistor**

### Sensitivity Variation

Due to the manufacturing process there is a sensitivity variation within the SFH 5711.

To account for this, OSRAM offers a choice of binning options. Table 1 gives a summary of the binning options for the SFH 5711. The width of each bin is 3μA. This corresponds to a spread of 1:2 in detected illuminance.

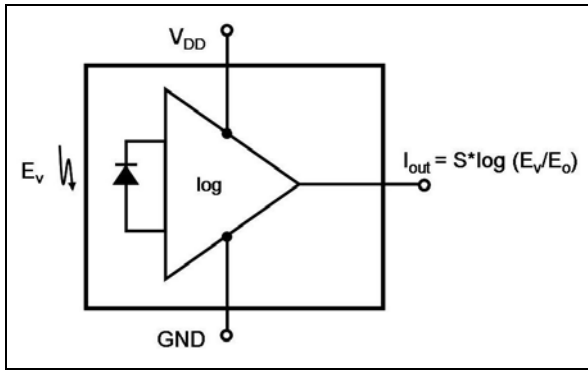
Bin	Output Current $I_{out}$ [μA] $E_v = 180\mu W/m^2$ , $\lambda = 560nm$ , $V_{DD} = 2.5V$
1	25 .. 28
2	27 .. 30
3	29 ... 32
4	31 ... 34

**Table 1: Sensitivity binning for the SFH 5711. Each bin corresponds to a spread of 1:2 in detected illuminance.**

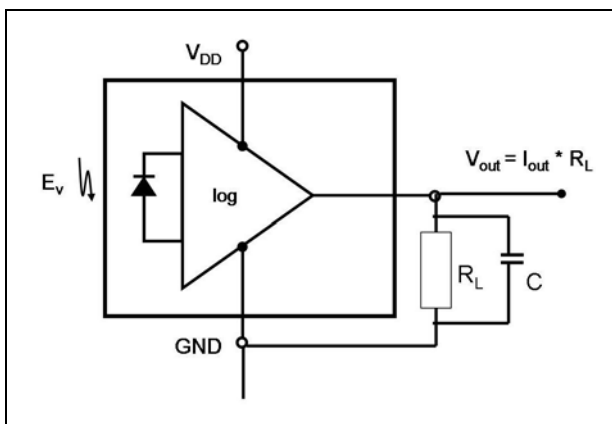
### Operation of the SFH 5711

The SFH 5711 yields an analog output current  $I_{out}$ . This signal can either be directly transferred into a microcontroller, or transformed into voltage. The voltage drop at the load resistor  $R_L$  is then used as input signal into a microcontroller. Many applications also use an A/D converter for signal processing. An additional capacitance  $C$  (see figure 9b) allows the adjustment of the reaction time of the sensor. The sensor has been tested up to  $C = 1nF$ .

Figures 9a and 9b show exemplary operating circuits for the SFH 5711.



**Figure 9a: Operating circuit for the SFH 5711. The analog output current is directly processed.**



**Figure 9b: Operating circuit for the SFH 5711. The voltage drop at the load resistance  $R_L$  is used for further processing. An additional capacitance  $C$  can be used to adjust the reaction time.**

### Supply voltage

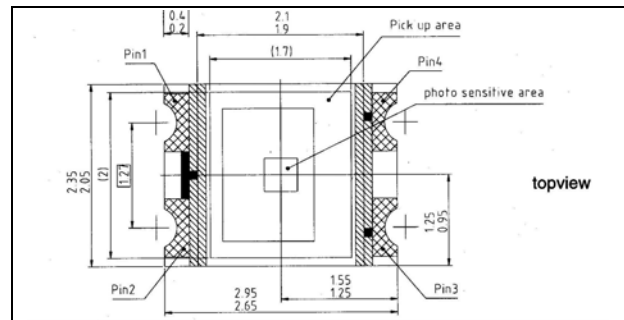
The SFH 5711 is suitable for a supply voltage range of (2.3 ... 5) V.

### Placement of the SFH 5711

The sensitive area of the SFH 5711 is (0.4 x 0.4)mm and much smaller than the device itself. When placing the part behind a light guide, only this sensitive area has to be taken into account. Figure 10 shows the

position and size of the sensitive area within the package.

Table 2 provides the pin configuration.



**Figure 10: Position and size of the sensitive area within the SFH 5711**

Pin #	Description
1	V <sub>SS</sub>
2	V <sub>SS</sub>
3	V <sub>DD</sub>
4	I <sub>OUT</sub>

**Table 2: Pin configuration of the SFH 5711**

### Main characteristics of the SFH 5711

Table 3 summarizes the main characteristics of the SFH 5711. For further details, please refer to the datasheet.

The device is RoHS compliant.

Parameter	Value
Size LxWxH [mm]	2.8 x 2.2 x 1.1
Sensitive area [mm <sup>2</sup> ]	0.4 x 0.4
Signal I <sub>out</sub> [μA] @ 1000lx, V <sub>CC</sub> = 2.5V	30
Sensitivity Variation	3μA /bin
Power consumption I <sub>DD</sub> [μA]	410 @ 0lx; 460 @ 1000lx

**Table 3: main characteristics of SFH 5711**



Authors: Christine R uth, Andreas Vogler

**About Osram Opto Semiconductors**

Osram Opto Semiconductors GmbH, Regensburg, is a wholly owned subsidiary of Osram GmbH, one of the world's three largest lamp manufacturers, and offers its customers a range of solutions based on semiconductor technology for lighting, sensor and visualisation applications. The company operates facilities in Regensburg (Germany), San Jos  (USA) and Penang (Malaysia). Further information is available at [www.osram-os.com](http://www.osram-os.com).

All information contained in this document has been checked with the greatest care. OSRAM Opto Semiconductors GmbH can however, not be made liable for any damage that occurs in connection with the use of these contents.