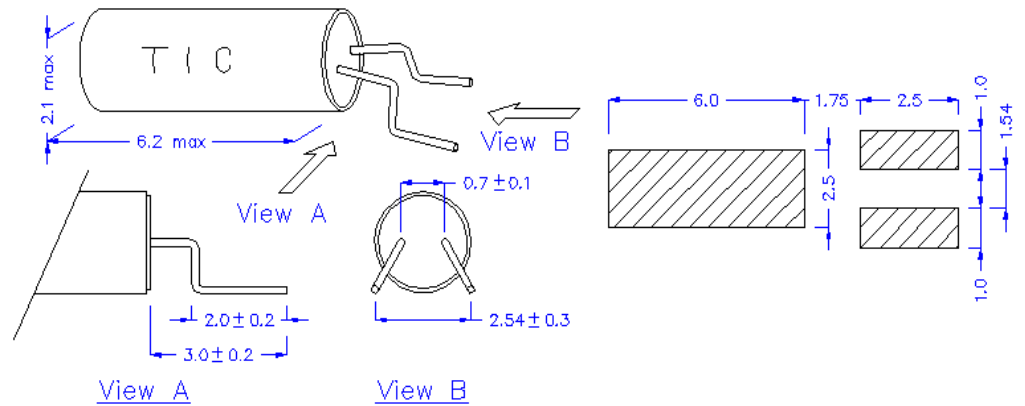


Crystal Unit (Tuning Fork)



206SMB



Standard Parameter

	206SMB
Frequency Range	32.768 KHz
Frequency Tolerance (at 25 °C)	±20ppm
Load Capacitance	12.5pF
Operating Temperature Range	-40 °C ~ +85 °C
Storage Temperature Range	-55 °C ~ +125 °C
Equivalent Resistance	50kΩ
Shunt Capacitance	1.3 pF max
Drive Level	1 μW max
Insulation Resistance	500MΩ min at DC100V ±15V
Aging (at 25 °C per year)	±5ppm

Standard Parameter

	206SMB
Frequency Range	32.000 KHz ~ 75.000 KHz
Frequency Tolerance (at 25 °C)	±20ppm
Load Capacitance	12.5pF
Operating Temperature Range	-40 °C ~ +85 °C
Storage Temperature Range	-55 °C ~ +125 °C
Equivalent Resistance	50kΩ
Shunt Capacitance	1.3 pF max
Drive Level	1 μW max
Insulation Resistance	500MΩ min at DC100V ±15V
Aging (at 25 °C per year)	±5ppm