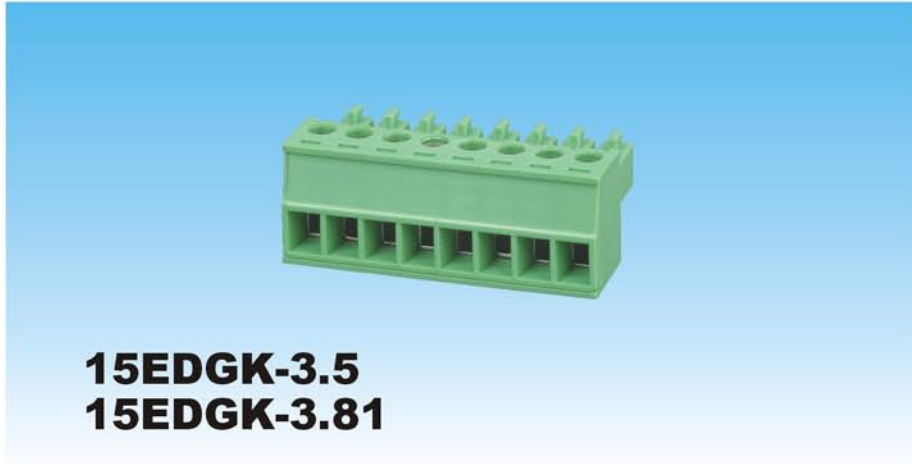


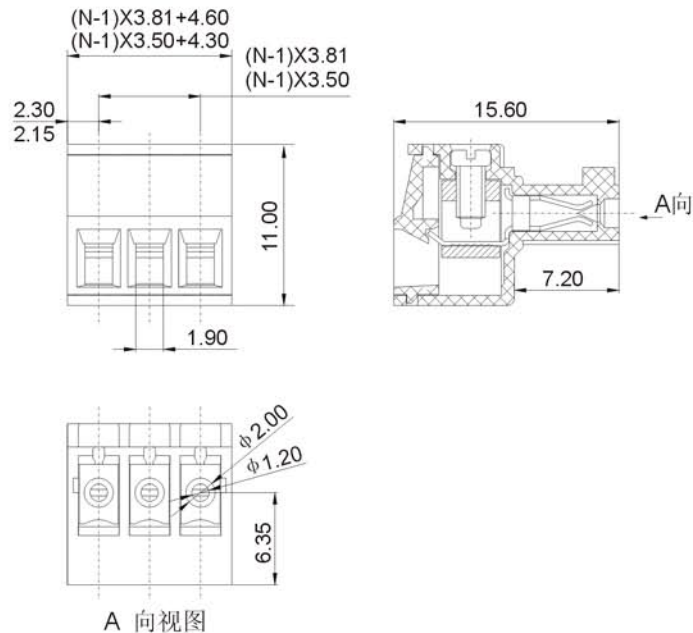


DEGSON ELECTRONICS CO., LTD.

Product Specification

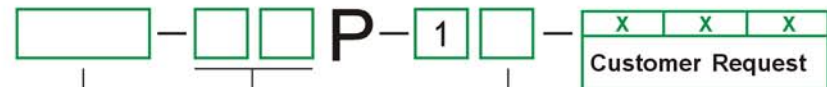


15EDGK-3.5
15EDGK-3.81



Material	
Screws :	M2 steel Zinc plated
Contact :	Phosphor bronze
Housing :	PA66, UL94V-0
Electrical	
Rated voltage :	300V
Rated current :	8A
Contact resistance :	20mΩ
Insulation resistance :	5000MΩ /DC 1000V
Withstanding voltage:	AC2000V/1Min
Wire range :	28-16AWG 1.5mm ²
Mechanical	
Temp. Range :	-40°C~+105°C
Torque :	0.2Nm(1.7lb.in)
Striplength :	6-7mm

HOW TO ORDER:



Series No. No of Pole

Color

1 Gray	4 Green	7 Trans- parent
2 Blue	5 Orange	8 Yellow
3 Black	6 Red	9 White

MM
(INCH)



DEGSON ELECTRONICS CO., LTD.

NAME

15EDGK-3.5
15EDGK-3.81