

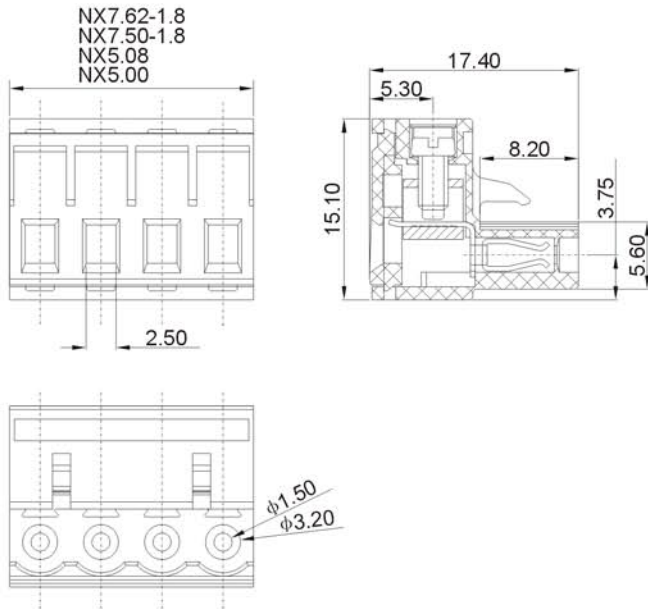


# DEGSON ELECTRONICS CO., LTD.

## Product Specification

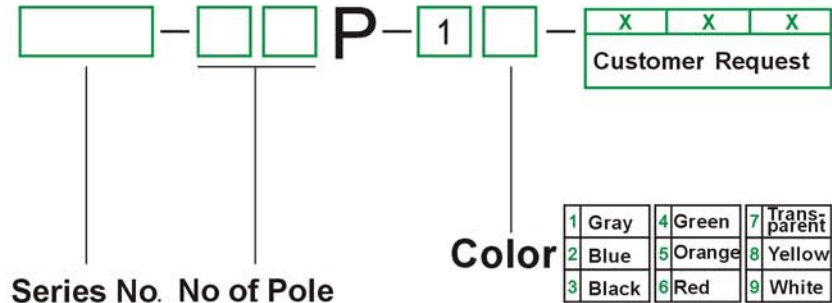


**2EDGK-5.0 2EDGK-5.08**  
**2EDGK-7.5 2EDGK-7.62**



Material	
Screws :	M2.5 steel Zinc plated
Contact :	Phosphor bronze
Housing :	PA66, UL94V-0
Electrical	
Rated voltage :	300V
Rated current :	15A
Contact resistance :	20m $\Omega$
Insulation resistance :	5000M $\Omega$ /DC 1000V
Withstanding voltage:	AC2000V/1Min
Wire range :	28-12AWG 2.5mm <sup>2</sup>
Mechanical	
Temp. Range :	-40°C~+105°C
Torque :	0.4Nm(3.6lb.in)
Striplength :	7-8mm

### HOW TO ORDER:



		<b>DEGSON ELECTRONICS CO., LTD.</b>
NAME		<b>2EDGK-5.0 2EDGK-5.08</b> <b>2EDGK-7.5 2EDGK-7.62</b>