

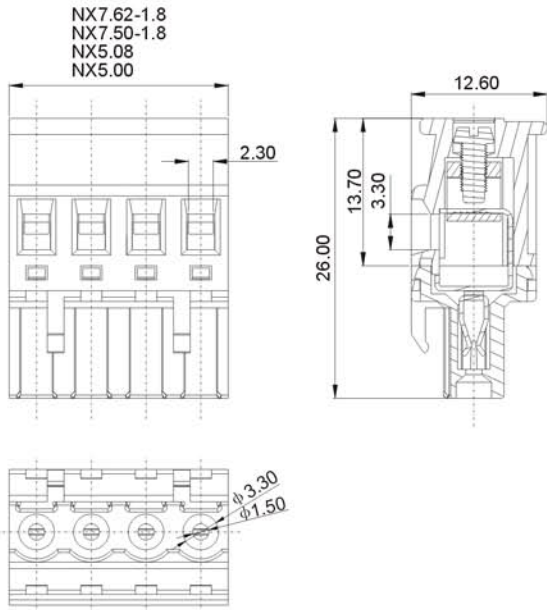


DEGSON ELECTRONICS CO., LTD.

Product Specification

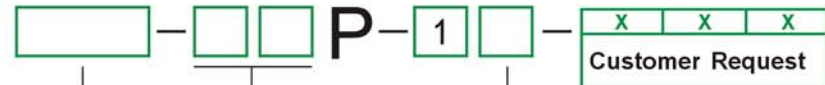


2EDGKA-5.0 2EDGKA-5.08
2EDGKA-7.5 2EDGKA-7.62



Material	
Screws	M2.5 steel Zinc plated
Contact	Phosphor bronze
Housing	PA66, UL94V-0
Electrical	
Rated voltage	300V
Rated current	15A
Contact resistance	20mΩ
Insulation resistance	5000MΩ /DC 1000V
Withstanding voltage	AC2000V/1Min
Wire range	28-12AWG 2.5mm ²
Mechanical	
Temp. Range	-40°C~+105°C
Torque	0.4Nm(3.6lb.in)
Striplength	7-8mm

HOW TO ORDER:



Series No. No of Pole

Color

1 Gray	4 Green	7 Trans- parent
2 Blue	5 Orange	8 Yellow
3 Black	6 Red	9 White

MM
(INCH)



DEGSON ELECTRONICS CO., LTD.

NAME

2EDGKA-5.0 2EDGKA-5.08
2EDGKA-7.5 2EDGKA-7.62