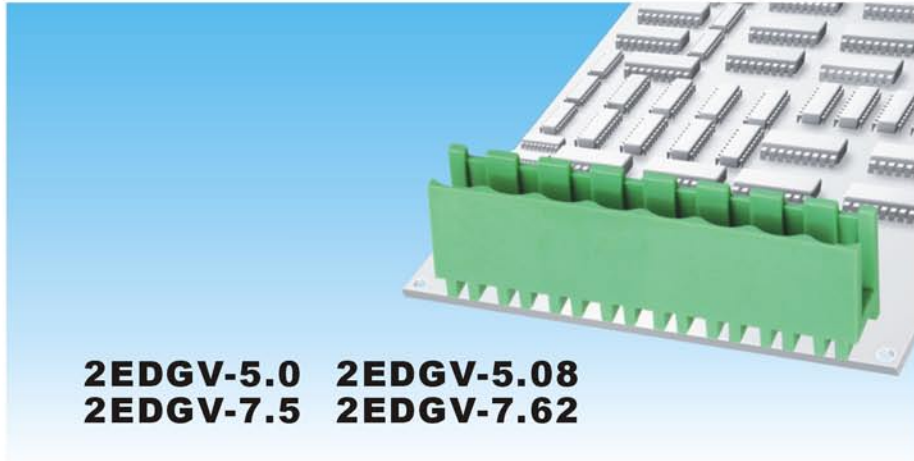




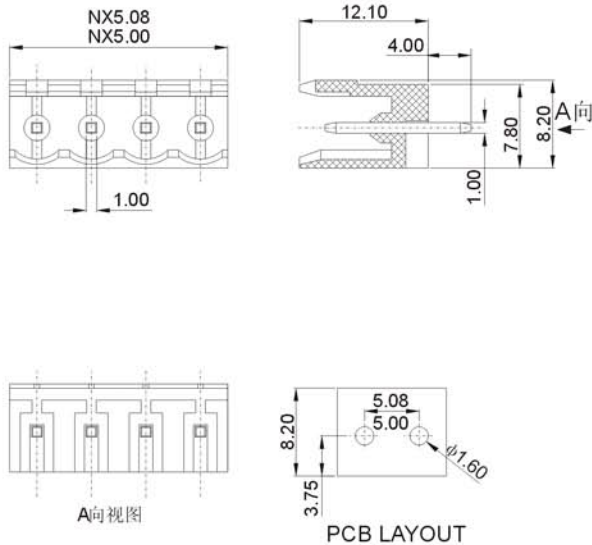
DEGSON ELECTRONICS CO., LTD.

Product Specification

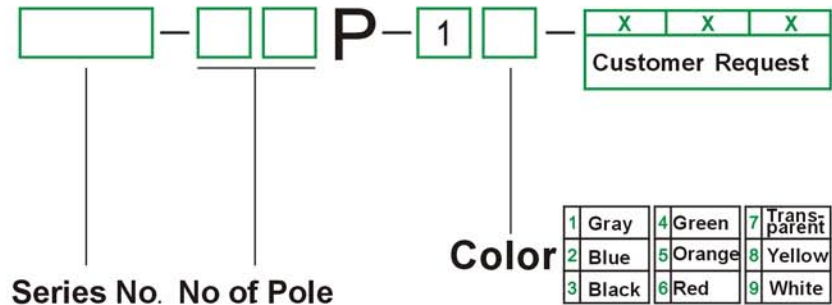


2EDGV-5.0 2EDGV-5.08
2EDGV-7.5 2EDGV-7.62

Material	
Pin header :	Brass, Tin plated
Housing :	PA66, UL94V-0
Electrical	
Rated voltage :	300V
Rated current :	15A
Contact resistance :	20mΩ
Insulation resistance :	5000MΩ /DC 1000V
Withstanding voltage:	AC2000V/1Min
Mechanical	
Temp.Range :	-40°C~+105°C



HOW TO ORDER:



		DEGSON ELECTRONICS CO., LTD. NAME 2EDGV-5.0 2EDGV-5.08 2EDGV-7.5 2EDGV-7.62