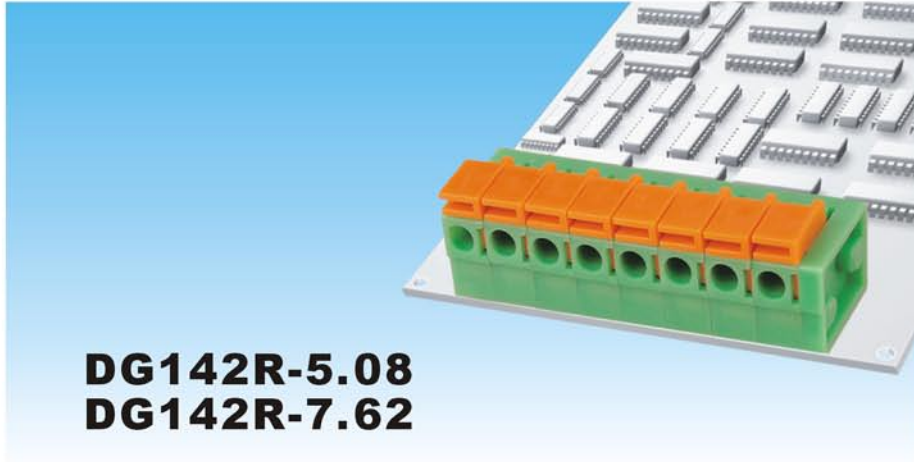




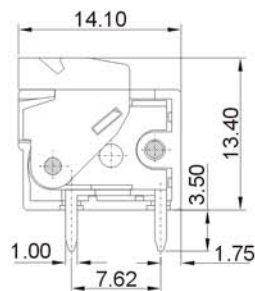
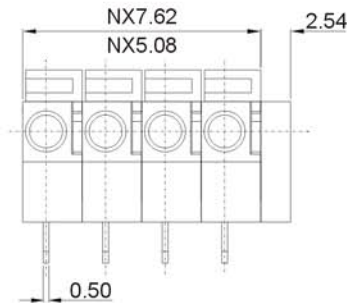
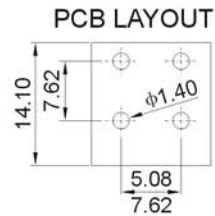
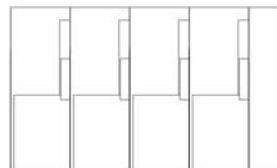
# DEGSON ELECTRONICS CO., LTD.

## Product Specification

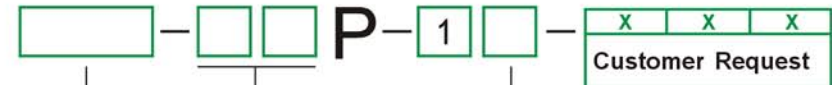


**DG142R-5.08**  
**DG142R-7.62**

Material	
Wire guard:	Stainless steel
Pin header:	Brass, Tin plated
Housing :	PA66, UL94V-0
Electrical	
Rated voltage :	300V
Rated current :	10A
Contact resistance :	20mΩ
Insulation resistance :	5000MΩ /DC1000V
Withstanding voltage:	AC2000V/1Min
Wire range :	22-14AWG 1.5mm <sup>2</sup>
Mechanical	
Temp.Range :	-40°C~+105°C
Striplength :	10mm



### HOW TO ORDER:



Series No. No of Pole

Color

1 Gray	4 Green	7 Trans- parent
2 Blue	5 Orange	8 Yellow
3 Black	6 Red	9 White



DEGSON ELECTRONICS CO., LTD.

NAME

**DG142R-5.08**  
**DG142R-7.62**