

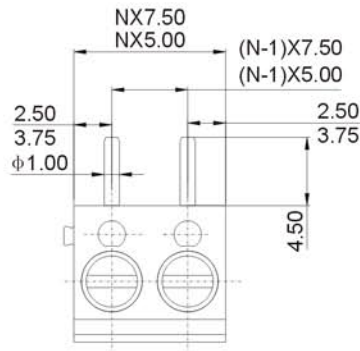


# DEGSON ELECTRONICS CO., LTD.

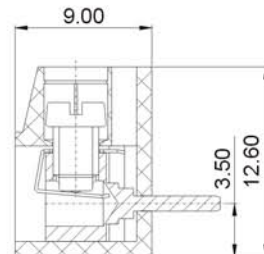
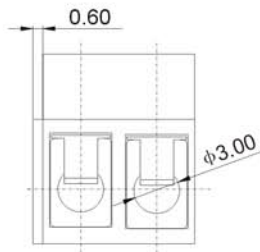
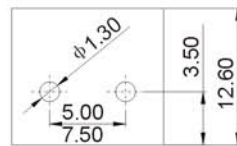
## Product Specification



**DG300R-5.0**  
**DG300R-7.5**



PCB LAYOUT



### Material

Screws	:	M3 steel Zinc plated
Wire guard:		Stainless steel
Pin header:		Brass, Tin plated
Housing	:	PBT, UL94V-0

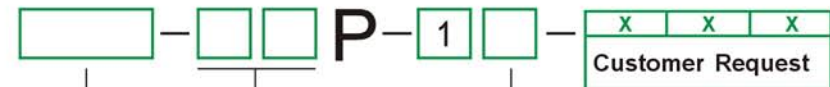
### Electrical

Rated voltage	:	300V
Rated current	:	10A
Contact resistance	:	20m $\Omega$
Insulation resistance	:	5000M $\Omega$ /DC 1000V
Withstanding voltage:		AC2000V/1Min
Wire range	:	22-14AWG 2.5mm <sup>2</sup>

### Mechanical

Temp. Range	:	-30°C~+120°C
Torque	:	0.5Nm(4.5lb.in)
Striplength	:	4.5-5mm

## HOW TO ORDER:



Series No. No of Pole

Color

1 Gray	4 Green	7 Trans-parent
2 Blue	5 Orange	8 Yellow
3 Black	6 Red	9 White



DEGSON ELECTRONICS CO., LTD.

NAME

**DG300R-5.0**  
**DG300R-7.5**