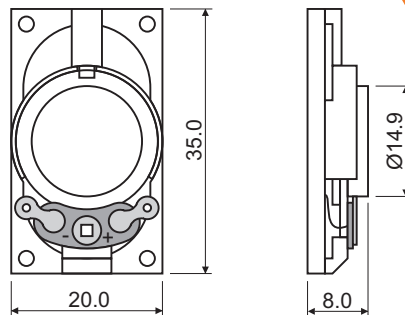


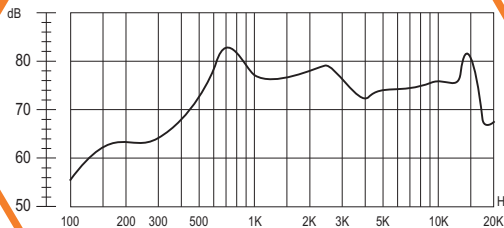
SoniCrest SPEAKER SOUND GENERATORS

HSP2035A



Dimension

Unit : mm
Tolerance : ± 0.3 mm



Frequency Response

Normalized to 1W Input Power and
1m Measuring Distance

- **Specification** (all data taken at 25°C unless otherwise specified)

Coil Impedance (Ω)	Rated Power (W)	Maximum Input Power (W)	Resonance Frequency (Hz)	★Frequency Range (Hz)	★Sound Output at 1kHz (dB)	Operating Temperature (°C)	Storage Temperature (°C)
8 \pm 20%	1	2	500 \pm 20%	500 ~ 20000	79 \pm 3	-20 ~ +60	-30 ~ +70

HSP2035A-8

The specification are only for 8 Ω version. Specification for other impedance is available upon request.
★Value normalized to 1W input power and 1m measuring distance.