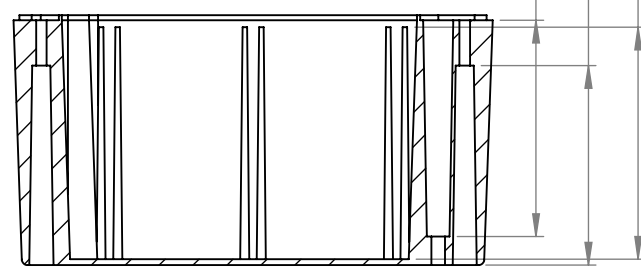
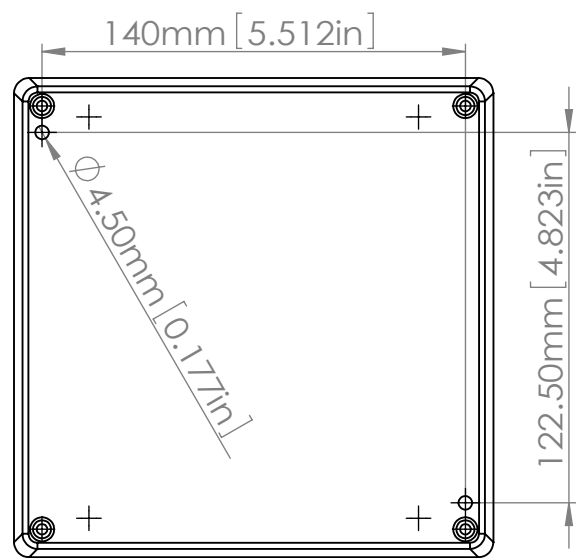
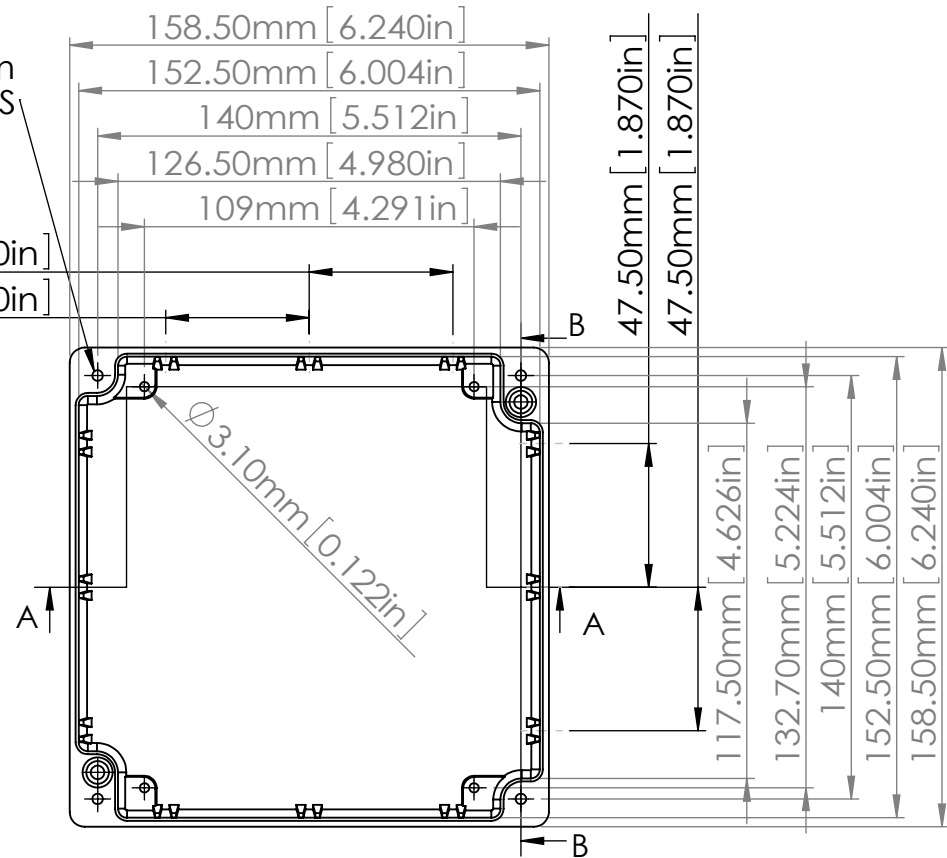
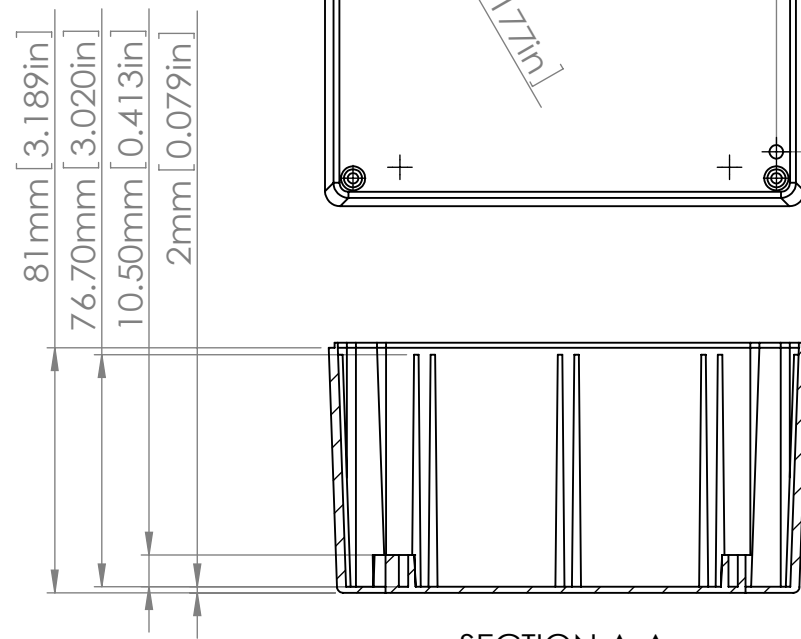


FOUR (4) M4X32mm  
FLAT HEAD SCREWS

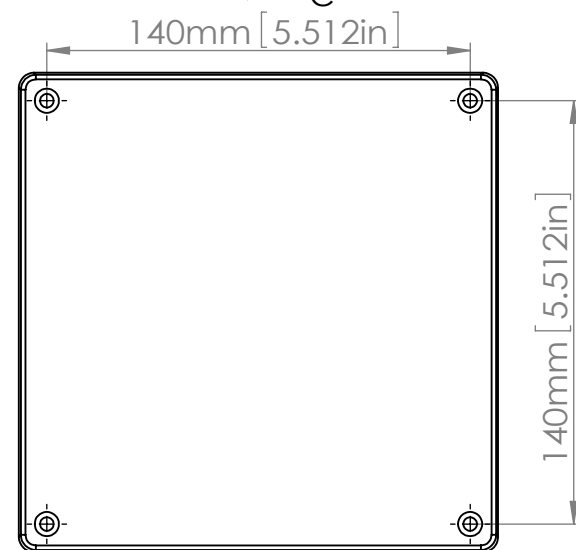
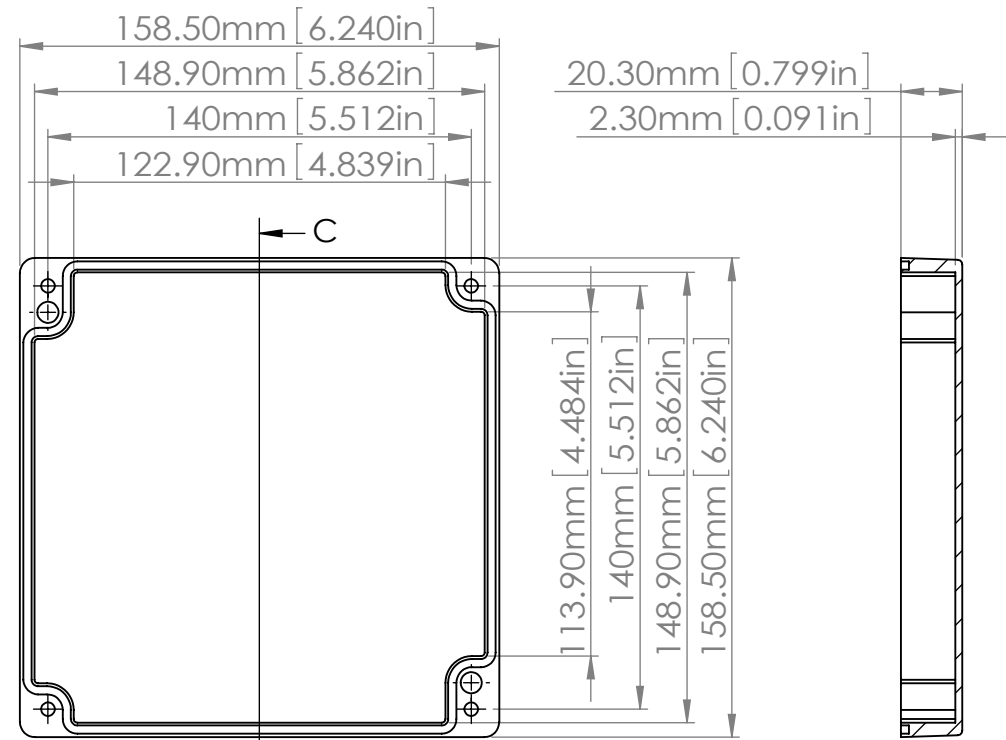
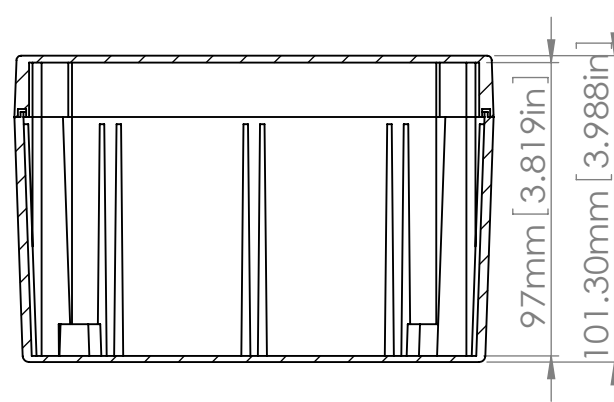
47.50mm [1.870in]  
47.50mm [1.870in]



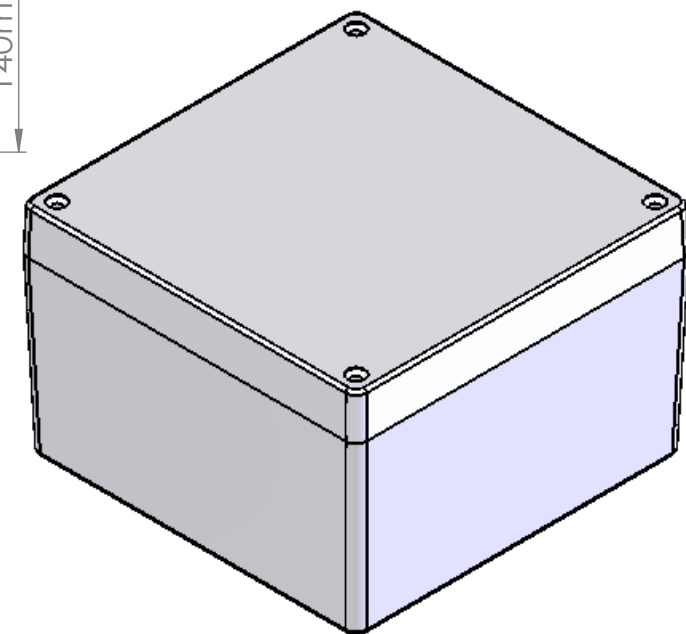
SECTION B-B  
SCALE 2 : 5



SECTION A-A  
SCALE 2 : 5



SECTION C-C  
SCALE 2 : 5



**TOLERANCES: +/- 0.30 mm (+/- 0.012in)**

宣又實業有限公司  
GAINTA INDUSTRIES LTD.

繪圖 DRA'D BY  
JACKY

日期 DATE  
2009/11/30

材質 MATE.  
ALUMINIUM ALLOY ADC-12

圖名TITLE:  
G139

圖號DWG NO:

版次REVISID:  
C