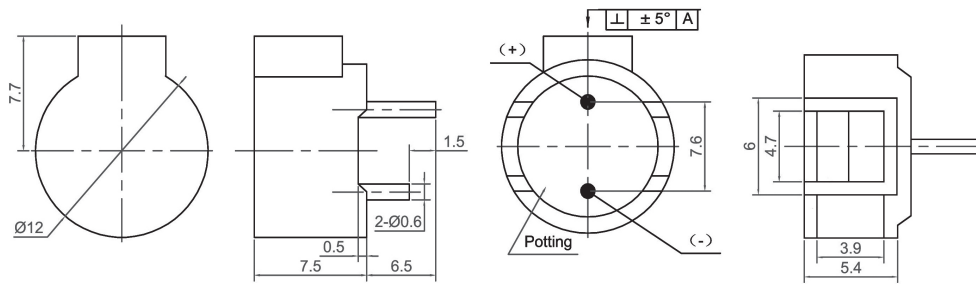


Magnetic Buzzer (DC)



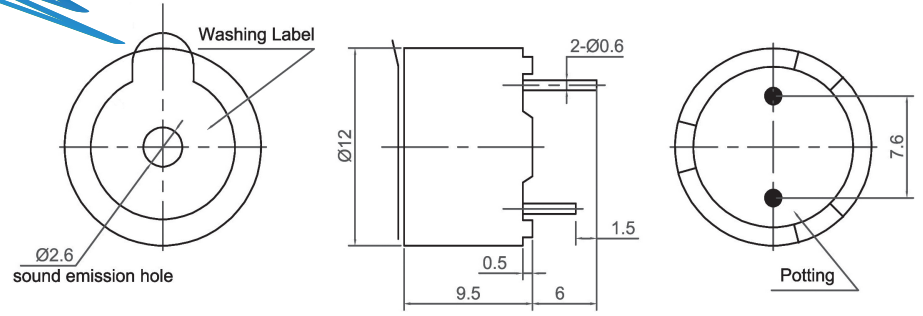
CMB1207-X

Canopus Part no.	Operating Voltage (VDC)	Rated Voltage (VDC)	Max Rated Current (mA)	Min Sound Output (dBA)	Resonant Frequency (Hz)	Tone Nature	Operating Temperature (°C)	Housing	Terminal	Weight (g)
CMB1207EC23NPX	3.5 ~ 7	5	25	85 at 10cm	2300±300	Continuous	-40 ~ +85	Noryl	Pin	2

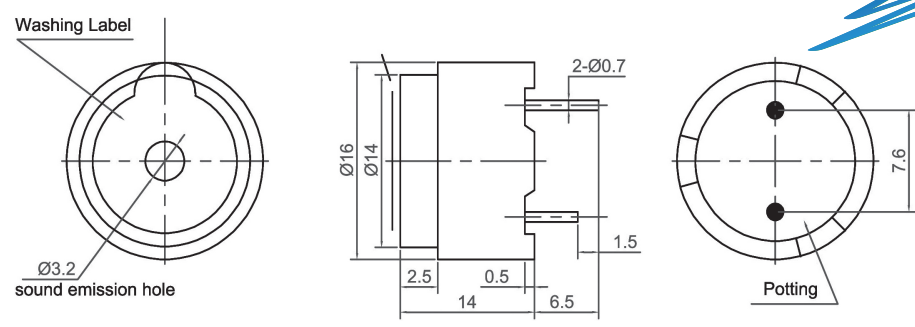
CANOPUS



CMB1209



Canopus Part no.	Operating Voltage (VDC)	Rated Voltage (VDC)	Max Rated Current (mA)	Min Sound Output (dBA)	Resonant Frequency (Hz)	Tone Nature	Operating Temperature (°C)	Housing	Terminal	Weight (g)
CMB1209AC23NP	1.3 ~ 2	1.5	30	75 at 10cm	2300±400	Continuous	-10 ~ +50	Noryl	Pin	2
CMB1209EC23NP	4 ~ 7	5	30	85 at 10cm	2300±300	Continuous	-40 ~ +85	Noryl	Pin	2
CMB1209HC23NP	8 ~ 15	12	30	85 at 10cm	2300±300	Continuous	-40 ~ +85	Noryl	Pin	2



CMB1614-T

Canopus Part no.	Operating Voltage (VDC)	Rated Voltage (VDC)	Max Rated Current (mA)	Min Sound Output (dBA)	Resonant Frequency (Hz)	Tone Nature	Operating Temperature (°C)	Housing	Terminal	Weight (g)
CMB1614AC23NPT	1 ~ 2	1.5	20	76 at 10cm	2300±400	Continuous	-40 ~ +85	Noryl	Pin	7
CMB1614FC23NPT	4 ~ 8	6	30	85 at 10cm	2300±300	Continuous	-40 ~ +85	Noryl	Pin	7
CMB1614HC23NPT	8 ~ 15	12	30	85 at 10cm	2300±300	Continuous	-40 ~ +85	Noryl	Pin	7

Your Efficient Supplier
www.canopus.com.hk

TEL.: (852) 2806 2812 Fax: (852) 2652 2216