

# DS1016 SERIES

## I.D.C. SOCKET PITCH 2.54mm



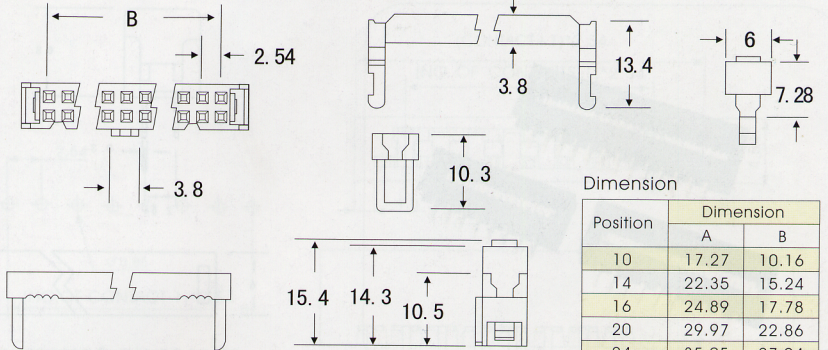
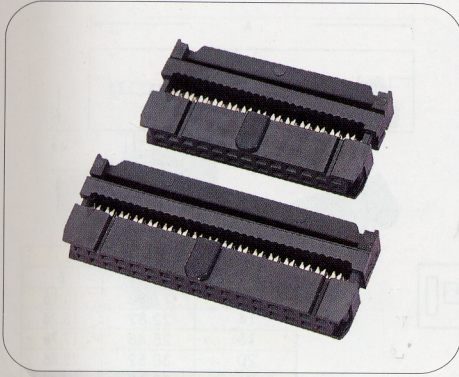
ZHENQIN

### MATERIAL

- ◆ Insulator: Thermoplastic (UL 94V-0)
- ◆ Contact: Copper Alloy
- ◆ Contact Plated: See ordering information

### SPECIFICATION

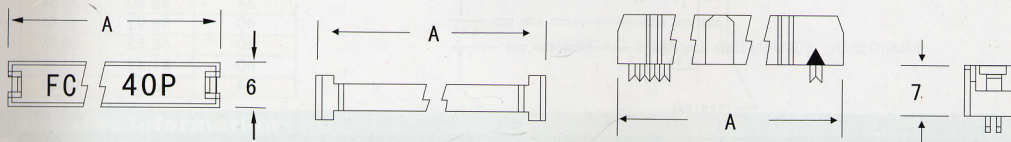
- ◆ Storage Temperature: -20-70°C
- ◆ Operating Temperature: 0-85°C
- ◆ Contact Resistance: 20mΩ max. (initial)
- ◆ Insulation Resistance: 1,000MΩ min.
- ◆ Dielectric Withstanding Voltage: AC 1,000V per minute



Dimension

Position	Dimension	
	A	B
10	17.27	10.16
14	22.35	15.24
16	24.89	17.78
20	29.97	22.86
24	35.05	27.94
26	37.59	30.48
30	42.67	25.56
34	47.75	40.64
40	55.37	48.26
50	68.07	60.96
60	80.77	73.66
64	85.85	78.74

UNIT:mm



### Ordering Information

Series No.	No. of Contacts	Strain Relief	Polarization	Contact Plating	Terminal Material	Housing Color
DS1016	34	M	A	Si	B	B
	10 34	M:w/	A:w/	Si:Gold Flash	B:Brass	B:Black
	14 40	N:w/o	B:w/o	(Please contact us for other plating thickness)		G:Gray
	16 50					L:Blue
	20 60					
	26 64					
	30					

# DS1017 SERIES

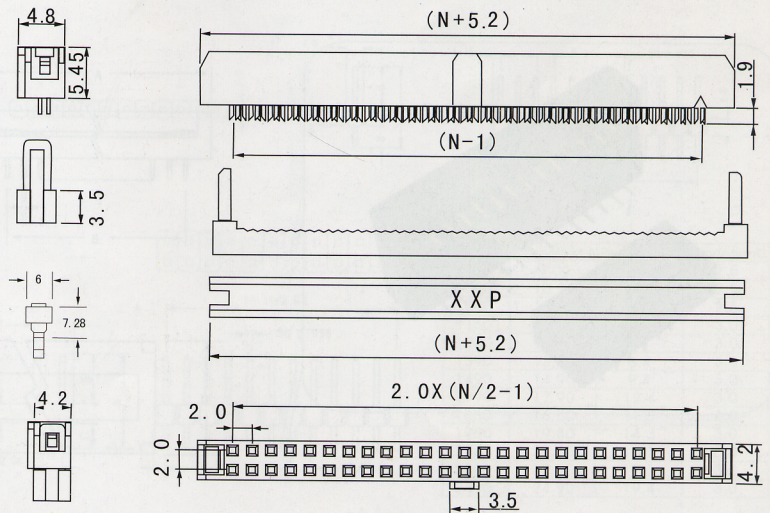
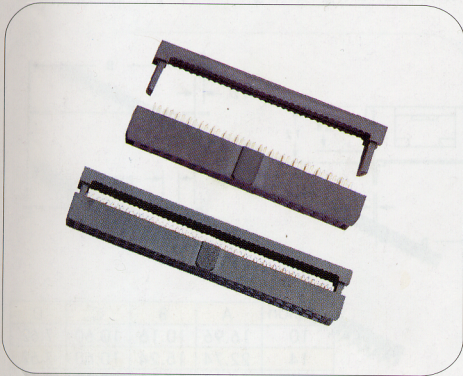
## IDC SOCKET PITCH 2.0mm WITH PITCH 1.0mm FLAT CABLE

### MATERIAL

- ◆ Insulator: Thermoplastic (UL 94V-0)
- ◆ Contact: Copper Alloy
- ◆ Contact Plated: See ordering information

### SPECIFICATION

- ◆ Storage Temperature: -20-70°C
- ◆ Operating Temperature: 0-85°C
- ◆ Contact Resistance: 20mΩ max. (initial)
- ◆ Insulation Resistance: 1,000MΩ min.
- ◆ Dielectric Withstanding Voltage: AC 1,000V per minute



UNIT:mm

### Ordering Information

Series No.	No. of Contacts	Strain Relief	Polarization	Contact Plating	Terminal Material	Wieson logo
DS1017	34	M	A	Si	P	N
	10 34	M:w/	A:w/	Si:Gold Flash	P:Phosphor Bronze	N:w/o logo
	12 36	N:w/o	B:w/o	(Please contact us for other plating thickness)		
	16 40					
	20 44					
	22 50					
	24 56					
	24 56					
	26 68					