



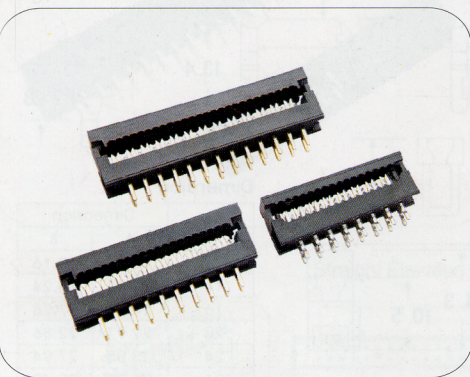
ZHENQIN

DS1018 SERIES

DIP PLUG CONNECTOR PITCH 2.54mm

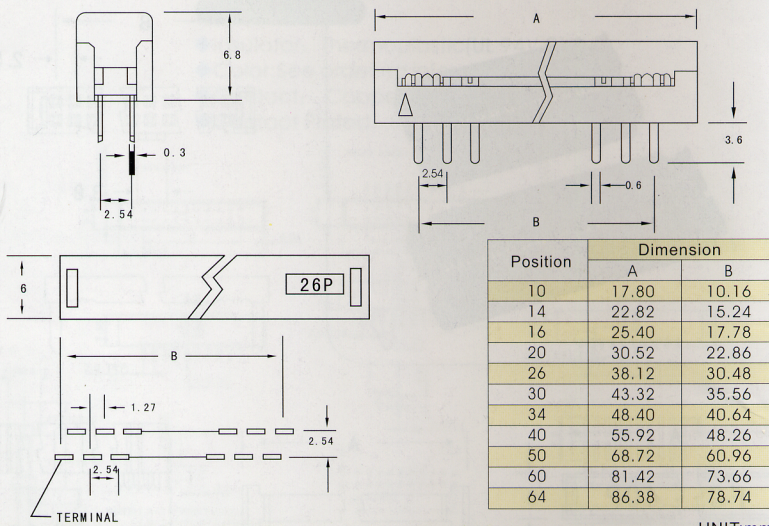
MATERIAL

- ◆ Insulator: Thermoplastic (UL 94V-0)
- ◆ Color: See ordering information
- ◆ Contact: Copper Alloy
- ◆ Contact Plated: See ordering information



SPECIFICATION

- ◆ Storage Temperature: -20-70°C
- ◆ Operating Temperature: 0-85°C
- ◆ Contact Resistance: 20m Ω max. (initial)
- ◆ Insulation Resistance: 1,000M Ω min.
- ◆ Dielectric Withstanding Voltage: AC 1,000V per minute



Ordering Information

Series No.
DS1018

No. of Contacts
34

10 30
14 34
16 40
20 50
26 60
34 64

Contact Plating
SI

SI: Gold Flash
(Please contact us for other plating thickness)

Housing Color
B

B: Black
G: Gray

Wieson logo
N

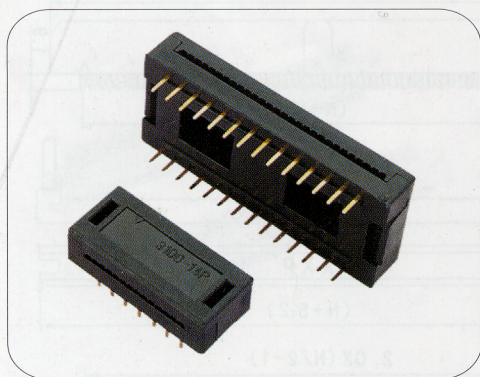
N: w/o logo

DS1019 SERIES

DIP PLUG CONNECTOR 2.54mm

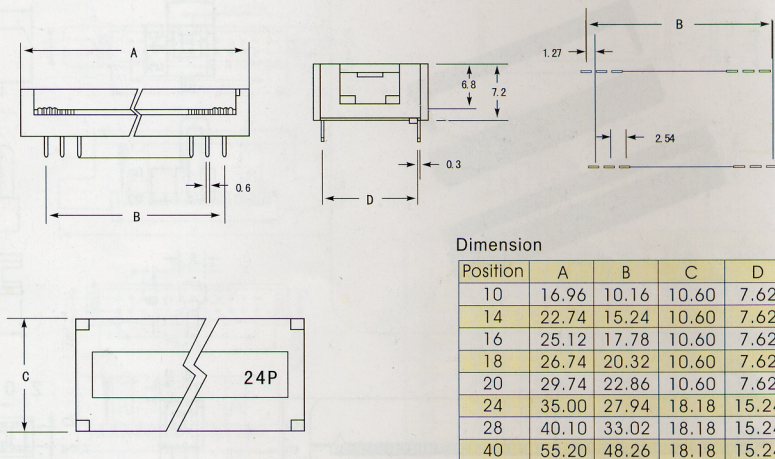
MATERIAL

- ◆ Insulator: Thermoplastic (UL 94V-0)
- ◆ Color: See ordering information
- ◆ Contact: Copper Alloy
- ◆ Contact Plated: See ordering information



SPECIFICATION

- ◆ Storage Temperature: -20-70°C
- ◆ Operating Temperature: 0-85°C
- ◆ Contact Resistance: 20m Ω max. (initial)
- ◆ Insulation Resistance: 1,000M Ω min.
- ◆ Dielectric Withstanding Voltage: AC 1,000V per minute



Ordering Information

Series No.
DS1019

No. of Contacts
08

10 18
14 20
16 24
28 28
40 40

Housing Color
B

B: Black
G: Gray

Contact Plating
SI

SI: Gold Flash
T: TIN PLATED

Terminal Material
P

P: Phosphor Bronze