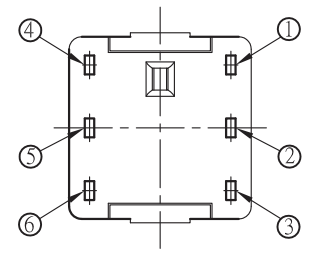
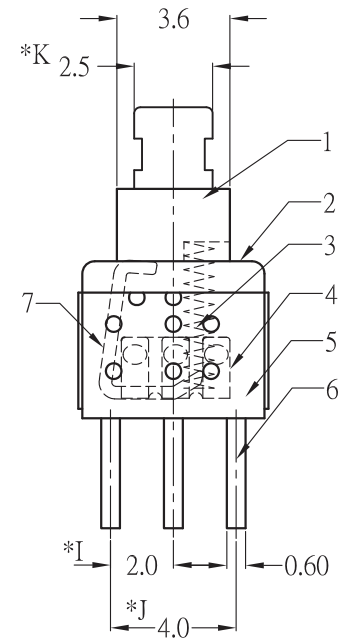
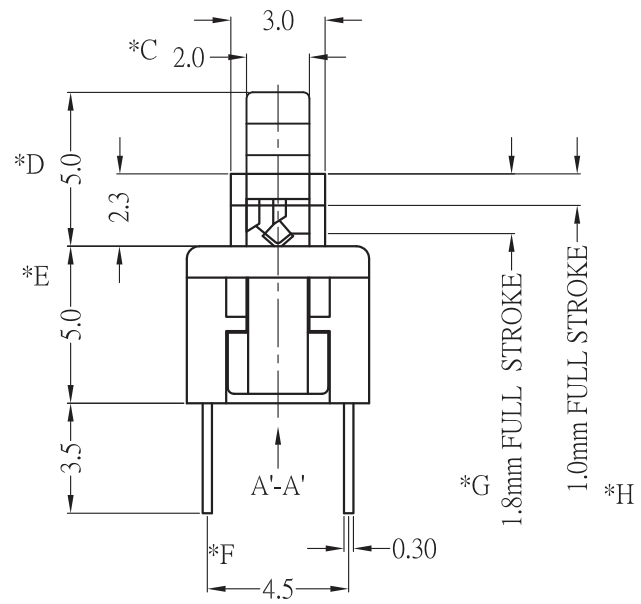
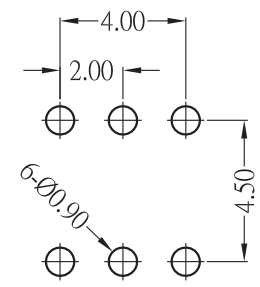
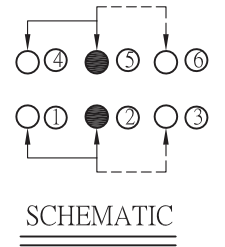
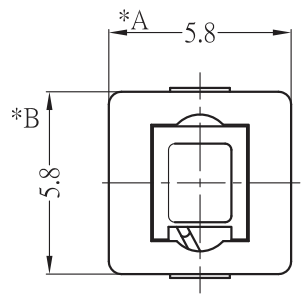
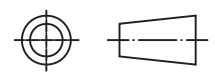


REVISION		
POSITION	DESCRIPTION	DATE
△		



\* CRITICAL DIMENSION



7	CAM STICK	SUS	1	NATURAL
6	TERMINAL	BRASS STRIP	6	Ag COATING
5	CASE	PA66	1	GREY
4	CONTACT	C5210R-EH	2	Ag CLAD
3	SPRING	SUS	1	NATURAL
2	COVER	POM	1	BLACK
1	KNOB	POM	1	WHITE
NO.	PART NAME	MATERIAL	QTY	FINISHING

SERIES : PUSH SWITCH		DRAWING NO: CF-ENL-PS9002	
PART NAME: PS-22E58L		GENERAL TOLERANCE	
UNIT : M M	DWN.	WITHIN 0.XXmm±0.15mm OVER 0.Xmm±0.25mm	
SCALE : 1:1	CHK'D		
REV : A/0	APPD.		