

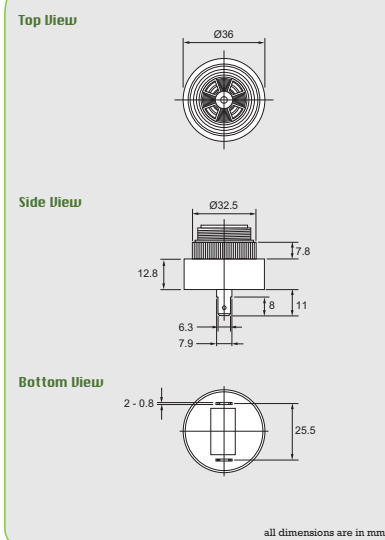
- DB-E2198 Piezo Buzzer



- electrical specifications

Model	219S3300	
Operating Voltage	(VDC)	5 ~ 32
Rated Voltage	(VDC)	30
Max. Rated Current	(mA)	60
Min. Sound Output	(dBA)	90 at 60cm
Frequency	(Hz)	2900 ± 500
Tone Nature		Single
Operating Temperature	(°C)	-20 ~ +60
Weight	(g)	35

- dimensions



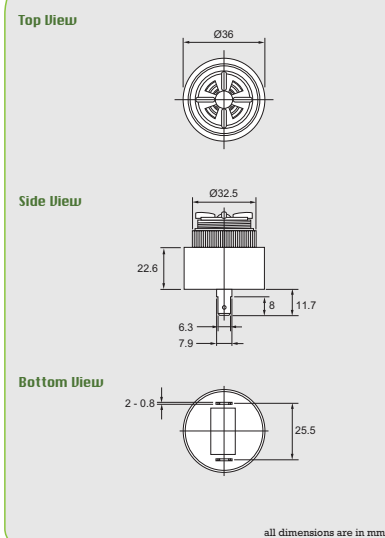
- DB-E2208 Piezo Buzzer



- electrical specifications

Model	220R2090	
Operating Voltage	(VDC)	5 ~ 15
Rated Voltage	(VDC)	9
Max. Rated Current	(mA)	50
Min. Sound Output	(dBA)	105 at 10cm
Frequency	(Hz)	2200 ± 300
Tone Nature		Siren
Operating Temperature	(°C)	-20 ~ +60
Weight	(g)	35

- dimensions



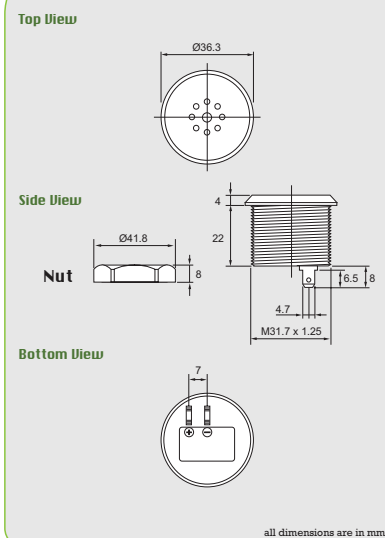
- DB-E1218 Piezo Buzzer



- electrical specifications

Model	121PF3120	
Operating Voltage	(VDC)	5 ~ 28
Rated Voltage	(VDC)	12
Max. Rated Current	(mA)	18
Min. Sound Output	(dBA)	85 at 1m
Frequency	(Hz)	3000 ± 500
Tone Nature		Fast Pulse
Operating Temperature	(°C)	-20 ~ +60
Weight	(g)	35

- dimensions



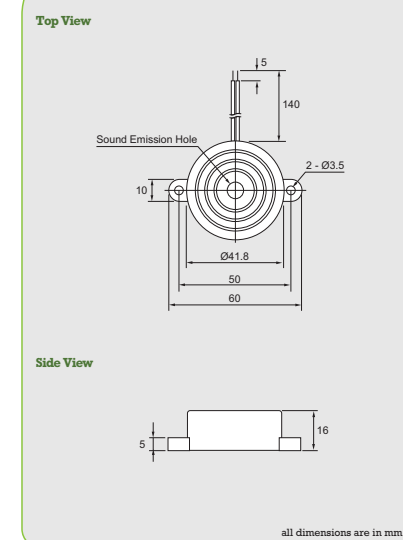
- DB-E298 Piezo Buzzer



- electrical specifications

Model	29SL3120	
Operating Voltage	(VDC)	1.5 ~ 20
Rated Voltage	(VDC)	12
Max. Rated Current	(mA)	10
Min. Sound Output	(dBA)	96 at 30cm
Frequency	(Hz)	2800 ± 500
Tone Nature		Single
Operating Temperature	(°C)	-20 ~ +60
Weight	(g)	15

- dimensions



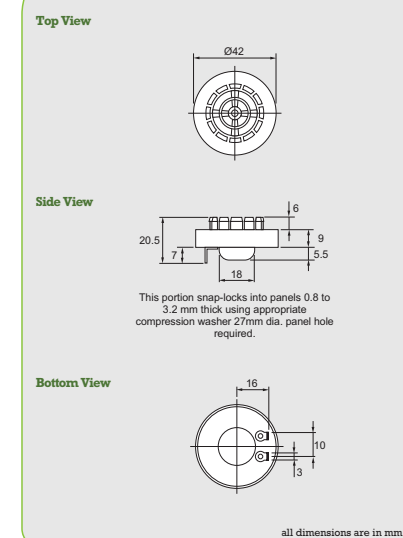
- DB-E108 Piezo Buzzer



- electrical specifications

Model	10S3240	
Operating Voltage	(VDC)	1 ~ 28
Rated Voltage	(VDC)	24
Max. Rated Current	(mA)	15
Min. Sound Output	(dBA)	85 at 30cm
Frequency	(Hz)	2900 ± 500
Tone Nature		Single
Operating Temperature	(°C)	-20 ~ +60
Weight	(g)	18

- dimensions



- DB-E288 Piezo Buzzer



- electrical specifications

Model	28SL3120	
Operating Voltage	(VDC)	3 ~ 20
Rated Voltage	(VDC)	12
Max. Rated Current	(mA)	12
Min. Sound Output	(dBA)	100 at 30cm
Frequency	(Hz)	2800 ± 500
Tone Nature		Single
Operating Temperature	(°C)	-20 ~ +60
Weight	(g)	11

- dimensions

