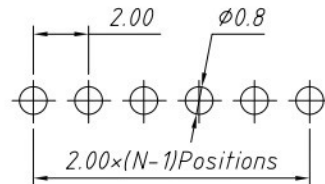
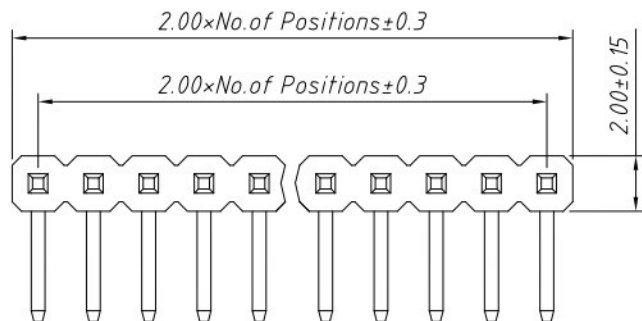


1  
RoHS Compliance

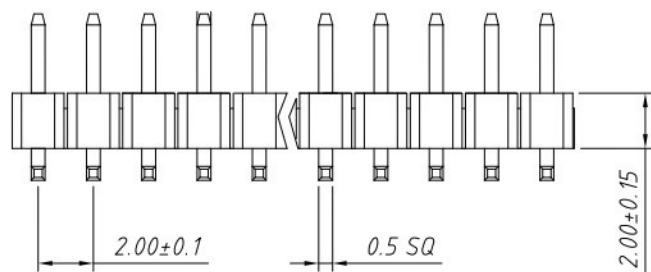


Recommended P.C.B Hole Layout

Material:  
Standard:PBT  
Contact:Phosphor bronze  
Insulator:Polyester,UL94V-0

Electrical Characteristics:  
Rated Current: 1.5AMP  
Contact Resistance: 20mΩ Max  
Withstand Voltage: 500V AC/DC  
Insulator Resistance: 1000MΩ Min

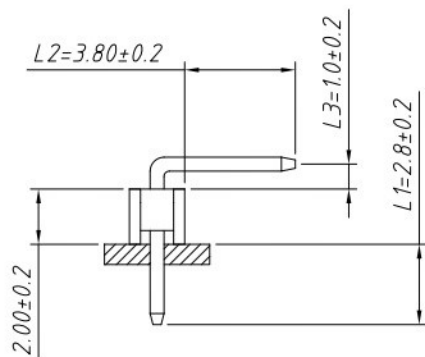
Mechanical  
Operating Temperature: -40°C ~ +105°C



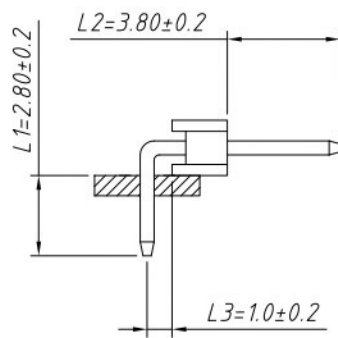
Dimension antitheses list (mm)				
ITEM	L1	L2	L3	Plastic Height
Standard R1	2.80	3.80	1.00	2.00
Standard R2	2.80	3.80	1.00	2.00
Nonstandard	---	---	---	---

Order Information:

L-KLS1-207B-2.00-1-XX



R1 Type



R2 Type

ANGLE TOLERANCE	PROJECTION	Description:	2.00mm Pin Header	
±3°		Single layer, Right Angle Pin, 1xN Pin		
GENERAL TOLERANCE	UNITS	mm	KLS P/N:	L-KLS1-207B-2.00-1-XX
x.x ±0.30	SHEET SIZE	A4		
x.xx ±0.20	Draw:	Daniel	2018-07-10	NingBo KLS ELECTRONIC CO.,L TD.
x.xxx ±0.10	Check:	Daniel	2018-07-10	