

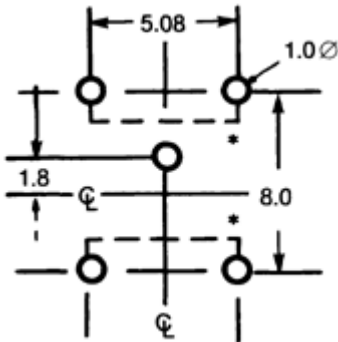
# PCB Mount, SPNO Momentary

50mA @ 24V dc



- 146202 red□
- 146203 dark grey□
- 146204 light grey□
- 146205 blue

$H=5, W=7.8, D=7.8$



*Drilling plan*

*\*internal connections*

- Low profile snap-action SPNO switch
- Very short stroke 0.3mm
- Precious metal contact system gives long life and reliability

Maximum contact chatter 5ms

Dielectric withstand voltage 250V dc for 1 minute

Operating temperature -20°C to +80°C

Mftrs. List No.

FES311121= [ [146-202](#) FES311161=[146-203](#)

FES311131= [ [146-204](#) FES311171=[146-205](#)