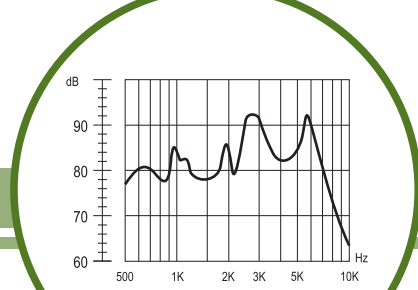
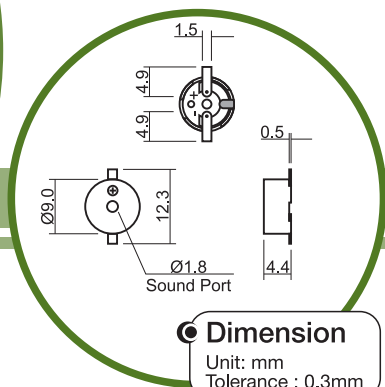
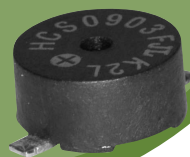


SoniCrest Electro-Magnetic Sound Generators

HCS09F Series



Dimension

Unit: mm
Tolerance : 0.3mm

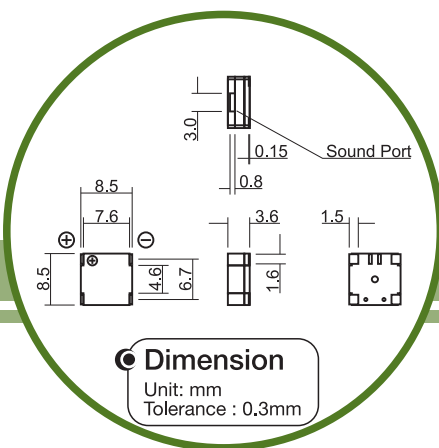
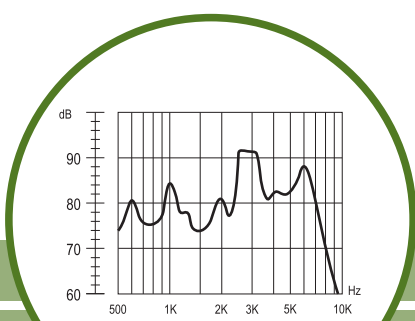
Frequency Response

Applied Voltage : 3V, 50% Duty Square Wave
Measuring Distance : 10cm

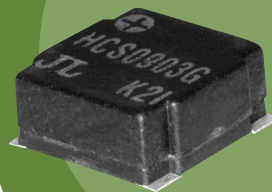
Specification (all data taken at 25°C unless otherwise specified)

Model	Rated Voltage (V)	Operating Voltage (V)	★Rated Current (mA)	Coil Resistance (Ω)	★Sound Output at 10cm (dB)	Rated Frequency (Hz)	Operating Temperature (°C)	Storage Temperature (°C)	Housing Material	Weight (g)
HCS0901F	1.5	1 ~ 2	≤80	5±2	≥80	2730	-40 ~ +85	-40 ~ +85	PPS	0.6
HCS0903F	3	2 ~ 4	≤80	16±3	≥85	2730	-40 ~ +85	-40 ~ +85	PPS	0.6
HCS0905F	5	4 ~ 6	≤80	30±3	≥85	2730	-40 ~ +85	-40 ~ +85	PPS	0.6

★ Value Applying Rated Voltage, Rated Frequency, 50% Duty Square wave



HCS09G Series



Frequency Response

Applied Voltage : 3V, 50% Duty Square Wave
Measuring Distance : 10cm

Dimension

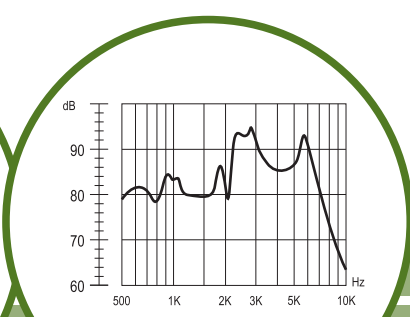
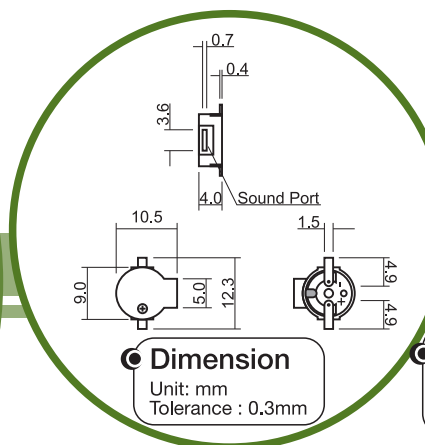
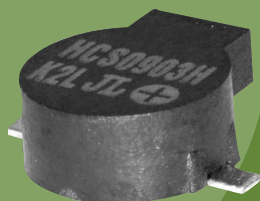
Unit: mm
Tolerance : 0.3mm

Specification (all data taken at 25°C unless otherwise specified)

Model	Rated Voltage (V)	Operating Voltage (V)	★Rated Current (mA)	Coil Resistance (Ω)	★Sound Output at 10cm (dB)	Rated Frequency (Hz)	Operating Temperature (°C)	Storage Temperature (°C)	Housing Material	Weight (g)
HCS0901G	1.5	1 ~ 2	≤80	6±3	≥80	2730	-40 ~ +85	-40 ~ +85	PPS	0.5
HCS0903G	3	2 ~ 5	≤80	18±3	≥85	2730	-40 ~ +85	-40 ~ +85	PPS	0.5
HCS0905G	5	4 ~ 6	≤80	30±3	≥85	2730	-40 ~ +85	-40 ~ +85	PPS	0.5

★ Value Applying Rated Voltage, Rated Frequency, 50% Duty Square wave

HCS09H Series



Dimension

Unit: mm
Tolerance : 0.3mm

Frequency Response

Applied Voltage : 3V, 50% Duty Square Wave
Measuring Distance : 10cm

Specification (all data taken at 25°C unless otherwise specified)

Model	Rated Voltage (V)	Operating Voltage (V)	★Rated Current (mA)	Coil Resistance (Ω)	★Sound Output at 10cm (dB)	Rated Frequency (Hz)	Operating Temperature (°C)	Storage Temperature (°C)	Housing Material	Weight (g)
HCS0901H	1.5	1 ~ 2	≤80	6±2	≥80	2730	-40 ~ +85	-40 ~ +85	PPS	0.6
HCS0903H	3	2 ~ 4	≤80	16±3	≥85	2730	-40 ~ +85	-40 ~ +85	PPS	0.6
HCS0905H	5	4 ~ 6	≤80	30±3	≥85	2730	-40 ~ +85	-40 ~ +85	PPS	0.6

★ Value Applying Rated Voltage, Rated Frequency, 50% Duty Square wave